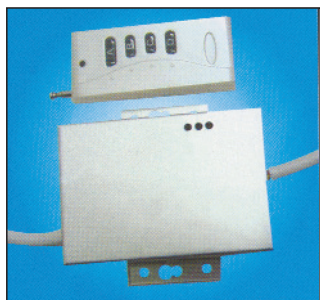


Zubehör / Accessories



RGB Controller "RGB-A" is specially designed for controlling LED multi-colour changing patterns. Its slim and delicate shape enables a no-sweat installation. The design flexibility on LED fittings will be enhanced enormously. The wireless controlling system is to make your home decoration possible with industrial products.

Technical Specification

- Working Temperature: -20 to +60°C.
- Dimensions: 95 x 65 x 25 mm.
- In / Output Voltage: 12V DC.
- Connecting Mode: Common anode.
- Recommended Current: 4A for each colour.
- Max. Current: 6A for each colour.
- Length or Quantity of LED fittings to control: Consult Hongli sales engineers.

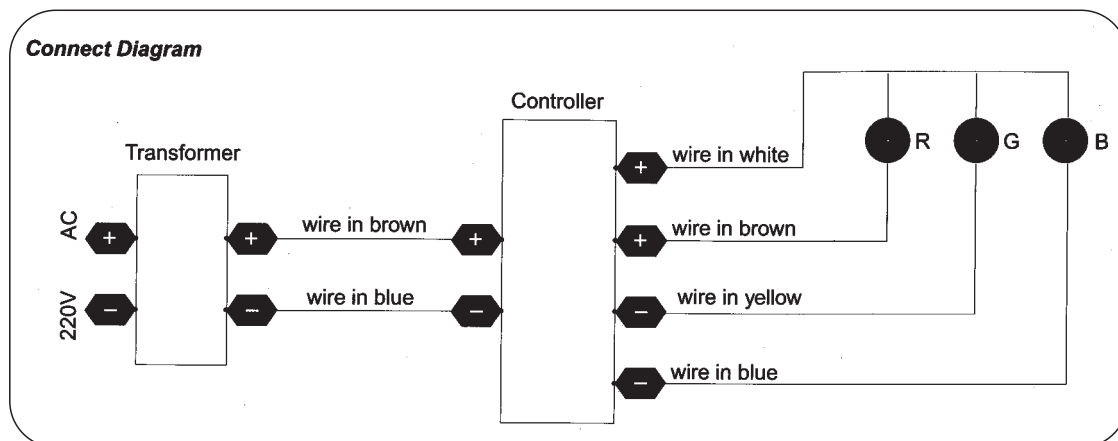
APPLICATIONS

- can be working with any RGB items in 12V DC from this serie.

Button funktions:

- Button A - it is a major funvntion key. Press one time - one colour pattern will appear.
- Button B - to speed up jumpy colour changing.
- Button C - to slow down jumpy colour changing.

ITEM	PATTERNS
1	Static red
2	Static blue
3	Static pink
4	Static green
5	Static yellow
6	Static cyan
7	Static white
8	Jumpy changing
9	Gradual changing



Safety Information

- The input voltage of this controller should to be only 12V DC. DC 24V or other hogh voltage would most probably destroy it.
- The 4 wires coming out of the controller can't be incorrectly interconnected, or short circuit could occur.
- Connect the wires of the controller and LED fittings as per the instruction.
- Don't peel off the label on the controller in case any indication information will be missed.
- The standard warrantly is one year.

Also available **Waterproof Transformer** (CE certified) in different sizes: 180 x 68 x 53 mm, 90 x 50 x 31 mm, 122 x 58 x 25 mm, 200 x 30 x 20 mm, 110 x 62 x 31 mm.