

PRODUKT-INFO

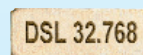
CM-519 SMD CRYSTAL (UHRENQUARZ) TUNING FORK CRYSTAL

FEATURES

1. Ceramic package of tuning fork crystal units.
2. Ultra miniature and thin type. Best for high density circuit boards.

APPLICATION

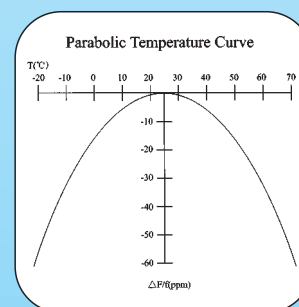
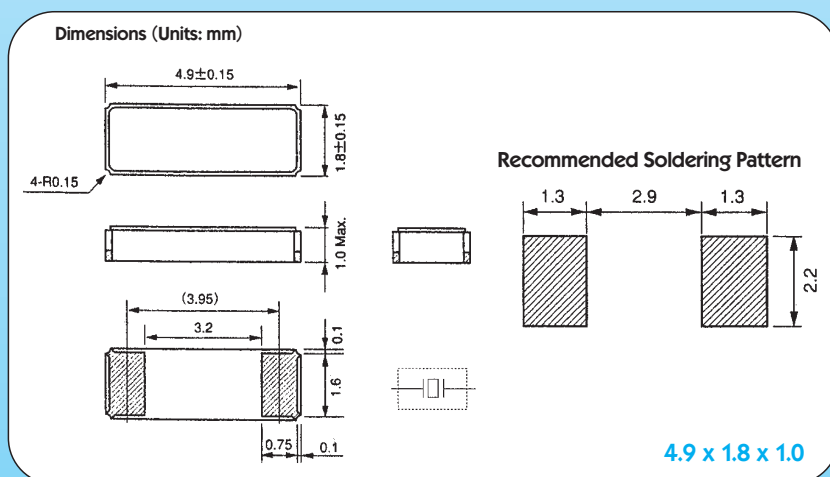
Its low power consumption makes it ideal for application in portable equipments. Perfect for Pb-free products.



Actual Size



ELECTRICAL SPECIFICATIONS	
Model	CM-519
Nominal Frequency	32.768 kHz
Frequency Tolerance (at +25°C)	±20 ppm
Load Capacitance (C _L)	9.0 pF, 12.5 pF typical
Temperature Coefficient	-0.034±0.006 ppm/°C ² typical
Equivalent Series Resistance (at +25°C)	70 kΩ max.
Drive Level	1 μW max.
Operating Temperature Range	-40°C to +85°C
Storage Temperature Range	-55°C to +125°C
Turnover Temperature	+25°C ±5°C
Aging (at +25°C) first year	±3 ppm / year max.
Shunt Capacitance	1.35 pF typical
Q-Factor	57000 typical



*Crystals...
and more*

Now available



**digital electronic
siegfried lehrer gmbh**
Bubeshheimer Str. 5
D-89340 Leipheim (Germany)
www.digitallehrer.de
digital@digitallehrer.de

Telefon +49 (0) 82 21 / 7 08 - 0 · Telefax +49 (0) 82 21 / 7 08 - 80

All specifications subject to change without notice.