

PRODUKT-INFO

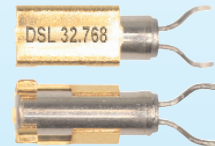
CMJ-206 SMD CRYSTAL (UHRENQUARZ) TUNING FORK CRYSTAL

FEATURES

1. Metal jacket makes crystal superior for automatic mounting and reflow soldering.
2. Cylinder type metal package / holder with lead-bent gull wing and metal jacket.

APPLICATION

Its low power consumption makes it ideal for application in portable equipments.

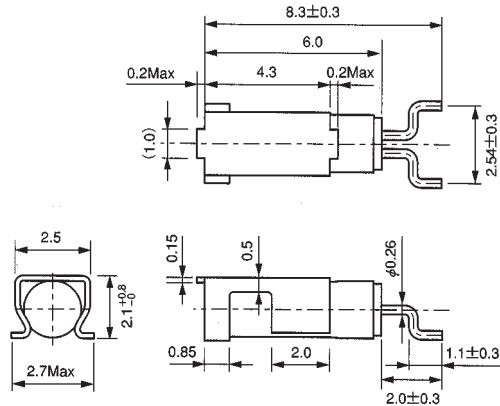


Actual Size

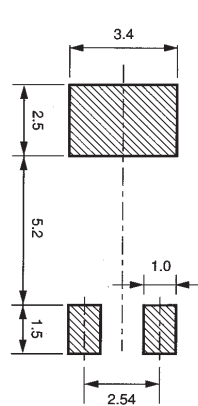


ELECTRICAL SPECIFICATIONS	
Model	CMJ-206
Nominal Frequency	32.768 kHz
Frequency Tolerance (at +25°C)	±20 ppm
Load Capacitance (C)	12.5 pF typical
Temperature Coefficient	-0.034±0.006 ppm/°C ² typical
Equivalent Series Resistance (at +25°C)	50 kΩ max.
Drive Level	1 μW max.
Operating Temperature Range	-40°C to +85°C
Storage Temperature Range	-55°C to +125°C
Turnover Temperature	+25°C ±5°C
Aging (at +25°C) first year	±3 ppm / year max.
Shunt Capacitance	1.35 pF typical
Q-Factor	70000 typical

Dimensions (Units: mm)

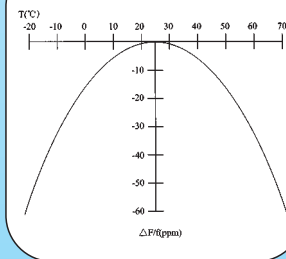


Recommended Solder Pattern



6.0/8.3 x 2.5 x 2.1

Parabolic Temperature Curve



*Crystals...
and more*

Now available



**digital electronic
siegfried lehrer gmbh**
Bubeshheimer Str. 5
D-89340 Leipzig (Germany)
www.digitallehrer.de
digital@digitallehrer.de

Telefon +49 (0) 82 21 / 7 08 - 0 · Telefax +49 (0) 82 21 / 7 08 - 80

All specifications subject to change without notice.