

# PRODUKT-INFO

## CPX-22 SMD CRYSTAL

### FEATURES

1. Ultra-thin and small type surface mounting quartz crystal with height only 0.45 mm.
2. A highly reliable seam welding sealing is adopted to assure high realization and reflow soldering is possible.
3. Automatic mounting is enabled by emboss taping.



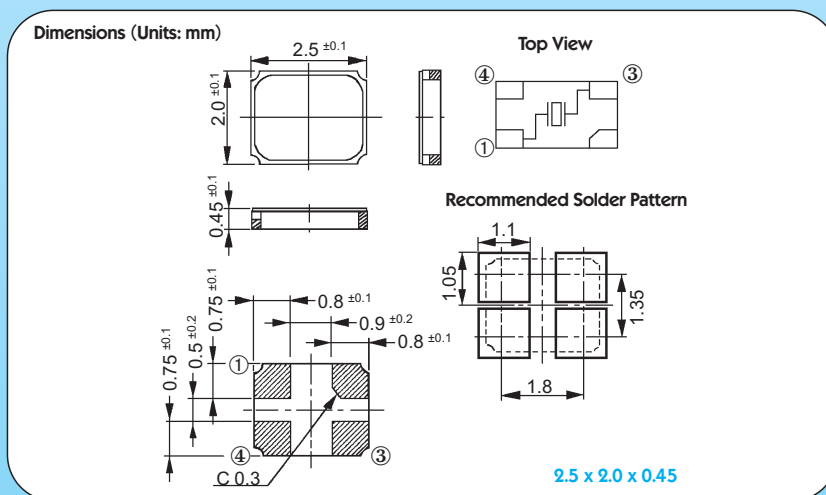
Actual Size



### APPLICATION

Cellphones, Bluetooth, Modems, Keyless-Go Systems, Automotive, etc.

ELECTRICAL SPECIFICATIONS		
<b>Model</b>	<b>CPX-22</b>	
<b>Frequency Range</b>	12.0 MHz ~ 54.0 MHz	
<b>Oscillation Mode / Crystal Cut</b>	Fundamental / AT-cut	
<b>Load Capacitance (C<sub>L</sub>)</b>	8 pF ~ 12 pF (Customer Spec.)	
<b>Drive Level</b>	50 μW (100 μW max.)	
<b>Frequency Tolerance (at +25°C)</b>	±10 ppm / ±15 ppm / ±30 ppm	
<b>Equivalent Series Resistance</b>	12.0 MHz ~ 15.999 MHz	120 Ω max.
	16.0 MHz ~ 19.999 MHz	100 Ω max.
	20.0 MHz ~ 29.999 MHz	80 Ω max.
	30.0 MHz ~ 54.000 MHz	50 Ω max.
<b>Frequency Stability</b>	±10 ppm / ±15 ppm / ±30 ppm	
<b>Operating Temperature Range</b>	-20°C to +70°C, -40°C to +85°C option	
<b>Storage Temperature Range</b>	-40°C to +85°C	
<b>Aging (at +25°C) first year</b>	±2 ppm / year max.	



*Crystals...  
and more*

Now available



**digital electronic  
siegfried lehrer gmbh**  
Bubesheimer Str. 5  
D-89340 Leipzig (Germany)  
www.digitallehrer.de  
digital@digitallehrer.de

Telefon 0 82 21 / 7 08 - 0 · Telefax 0 82 21 / 7 08 - 80

All specifications subject to change without notice.