

# PRODUKT-INFO

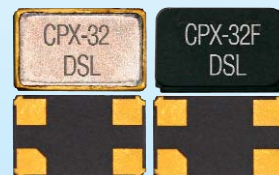
## CPX-32 • CPX-32F SMD CRYSTAL

### FEATURES

1. Ultra-thin and small types surface mounting quartz crystals with height 0.8 or 0.6 mm.
2. A highly reliable seam welding sealing is adopted to assure high realization and reflow soldering is possible.
3. Automatic mounting is enabled by emboss tapping.

### APPLICATION

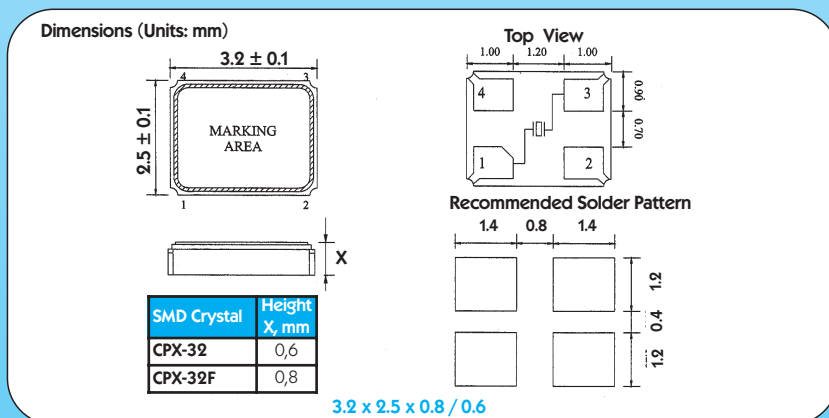
Cellphones, Bluetooth, Modems, Keyless-Go Systems, Automotive, etc.



Actual Size



ELECTRICAL SPECIFICATIONS		
Model	CPX-32	CPX-32F
Frequency Range	12.0 MHz ~ 54.0 MHz	
Oscillation Mode / Crystal Cut	Fundamental / AT-cut	
Load Capacitance (C <sub>L</sub> )	8 pF ~ 12 pF (Customer Spec.)	
Drive Level	50 μW (100 μW max.)	
Frequency Tolerance (at +25°C)	±10 / ±15 / ±30 ppm	±30 / ±50 / ±100 ppm
Equivalent Series Resistance (ESR)	12.0 MHz ~ 19.999 MHz 20.0 MHz ~ 25.999 MHz 26.0 MHz ~ 54.000 MHz	80 Ω max. 70 Ω max. 50 Ω max.
Frequency Stability	±10 / ±15 / ±30 ppm	±30 / ±50 / ±100 ppm
Operating Temperature Range	-20°C to +70°C, -40°C to +85°C option	
Storage Temperature Range	-40°C to +85°C	
Shunt Capacitance	3 pF max.	
Insulator Resistance	500 MΩ min. at 100VDC	
Aging (at +25°C) first year	±2 ppm / year max.	±5 ppm / year max.



*Crystals...  
and more*

Now available



**digital electronic  
siegfried lehrer gmbh**  
 Bubesheimer Str. 5  
 D-89340 Leipheim (Germany)  
 www.digitallehrer.de  
 digital@digitallehrer.de