

PRODUKT-INFO

CT-3215 SMD CRYSTAL (UHRENQUARZ) TUNING FORK CRYSTAL

FEATURES

1. Ceramic package of tuning fork crystal units.
2. Ultra miniature and thin type. Best for high density circuit boards.

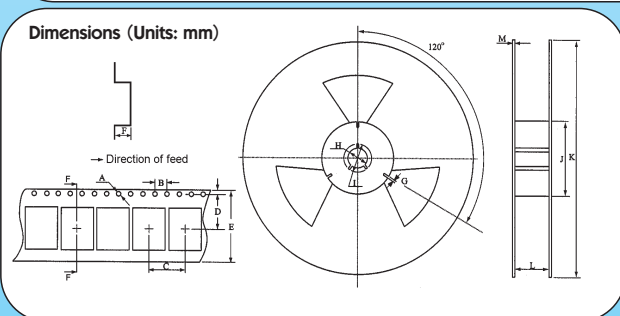
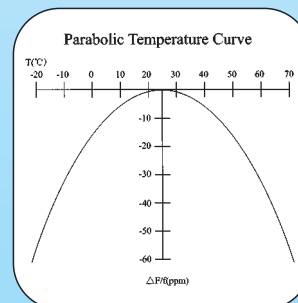
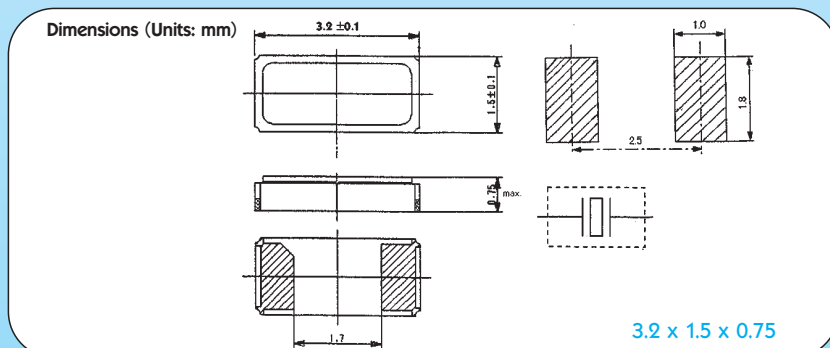
APPLICATION

Its low power consumption makes it ideal for application in portable equipments. Perfect for Pb-free products.



Actual Size

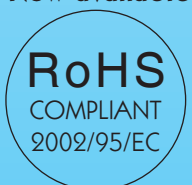
ELECTRICAL SPECIFICATIONS	
Model	CT-3215
Nominal Frequency	32.768 kHz
Frequency Tolerance (at +25°C)	±20 ppm
Load Capacitance (C _L)	12.5 pF typical
Temperature Coefficient	-0.035 ±0.008 ppm/°C ² typical
Equivalent Series Resistance (at +25°C)	70 kΩ max.
Drive Level	1 μW max.
Operating Temperature Range	-40°C to +85°C
Storage Temperature Range	-55°C to +125°C
Turnover Temperature	+25°C ±5°C
Insulation Resistance	500 MΩ at 100 V _{DC} ±5 V
Shunt Capacitance	1.6 pF typical
Motional Capacitance	3.6 pF typical
Q-Factor	30000 typical
Aging (at +25°C) first year	±3 ppm / year max.



TAPE & REEL SPECIFICATION							
Model	A	B	C	D	E	F	Qty/Reel
CT-3215	Ø1.50	4.0	4.0	3.5	8.0	0.85	3000
Model	G	H	I	J	K	L	M
CM-3215	2.0	Ø13.0	Ø16.0	Ø60.0	Ø180	9.0/11.4	1.0/1.6

*Crystals...
and more*

Now available



**digital electronic
siegfried lehrer gmbh**
Bubeshheimer Str. 5
D-89340 Leipzig (Germany)
www.digitallehrer.de
digital@digitallehrer.de

Telefon +49 (0) 82 21 / 7 08 - 0 · Telefax +49 (0) 82 21 / 7 08 - 80

All specifications subject to change without notice.