

# PRODUKT-INFO

## TSM-250 • TC-26 CRYSTAL (FUNKUHRQUARZ)

### TUNING FORK CRYSTAL

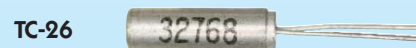
#### FEATURES

1. Different versions of metal packages / holders available.
2. Through hole: cylinder type.
3. SMD: cylinder type with lead-bent gull wing.

ELECTRICAL SPECIFICATIONS	
Model	TSM-250 • TC-26
Frequency	77.5 kHz ~ 120.0 kHz
Frequency Tolerance (at +25°C)	±50 ppm / ±100 ppm
Turnover Temperature	+25°C ±5°C
Temperature Coefficient	-0.034 ppm/°C² typical
Operating Temperature Range	-10°C to +60°C, -40°C to +85°C option
Equivalent Series Resistance	35 kΩ to 50 kΩ
Load Capacitance (C <sub>L</sub> )	12.5 pF typical
Shunt Capacitance	1.2 pF typical
Drive Level	1 μW max.
Insulation Resistance	500 MΩ min. at 100 V <sub>DC</sub> ±5V
Aging (at +25°C) first year	±3 ppm



TSM-250



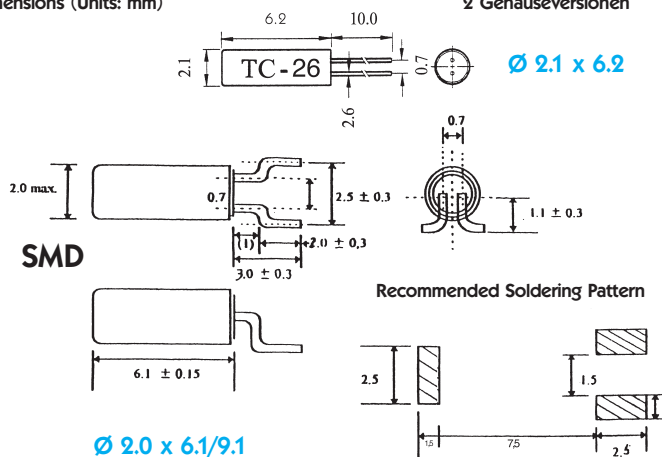
TC-26

Actual Size



Dimensions (Units: mm)

2 Gehäuseversionen



*Crystals...  
and more*

Now available



**digital electronic  
siegfried lehrer gmbh**  
Bubzheimer Str. 5  
D-89340 Leisheim (Germany)  
www.digitallehrer.de  
digital@digitallehrer.de

Telefon 0 82 21 / 7 08 - 0 • Telefax 0 82 21 / 7 08 - 80

All specifications subject to change without notice.