

PRODUKT-INFO

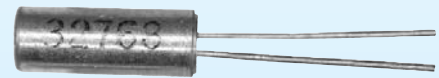
TC-38 • TC-26 • TC-15 TUNING FORK (UHRENQUARZ)

FEATURES

1. Because of their excellent shock resistance and low power consumption, the units are ideal for portable equipment.
2. Cylinder type metal package / holder.

APPLICATION

Used as a clock source for communication equipment, AV equipment, OA equipment, measuring instruments and various types of clocks.



TC-38

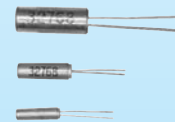


TC-26

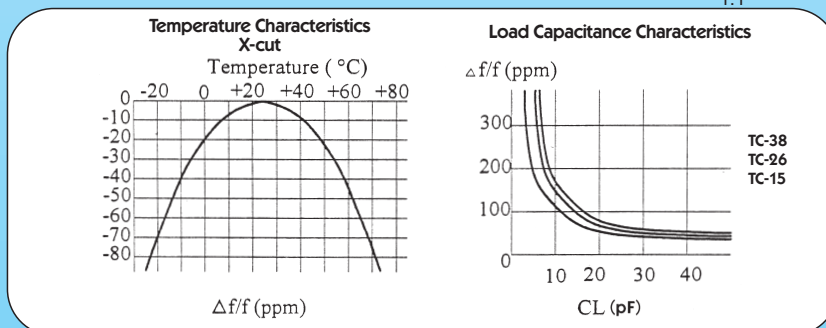
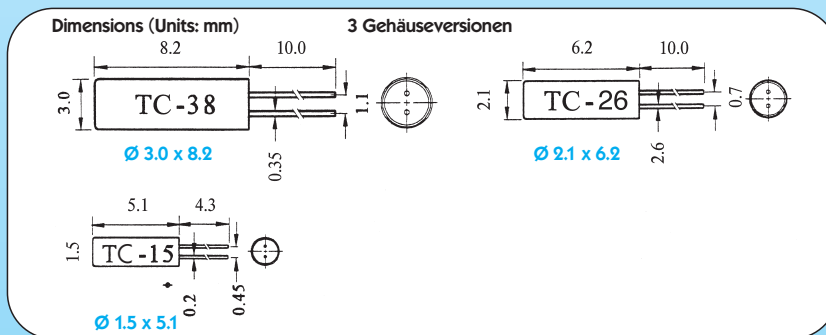


TC-15

Actual Size



ELECTRICAL SPECIFICATIONS	
Model	TC-38 • TC-26 • TC-15
Frequency	32.768 kHz
Frequency Tolerance (at +25°C)	±5 ppm / ±10 ppm / ±20 ppm
Turn Over Temperature	at +25°C ±5°C
Frequency Coefficient	- 0.034 ppm / °C² max. typical
Operating Temperature Range	-10°C to +60°C, -40°C to +85°C option
Load Capacitance (C _L)	10 pF, 12.5 pF, etc. (Customer Spec.)
Storage Temperature Range	-20°C to +70°C
Shunt Capacitance	0.85 pF typical, 2 pF max.
Motional Capacitance	2 fF typical
Equivalent Series Resistance	50 000 Ω max.
Insulation Resistance	500 MΩ min. at 100 V _{DC}
Drive Level	1 μW max.
Aging (at +25°C) first year	±5 ppm / year max.



Crystals...
and more

Now available



digital electronic
siegfried lehrer gmbh
Bubeshheimer Str. 5
D-89340 Leipzig (Germany)
www.digitallehrer.de
digital@digitallehrer.de