

PRODUKT-INFO

UM-5 HIGH PRECISION CRYSTAL

FEATURES

1. Wide frequency range.
2. Tight tolerance and stability over temperature.
3. Miniature and compact.
4. Metal package / holder.

Actual Size



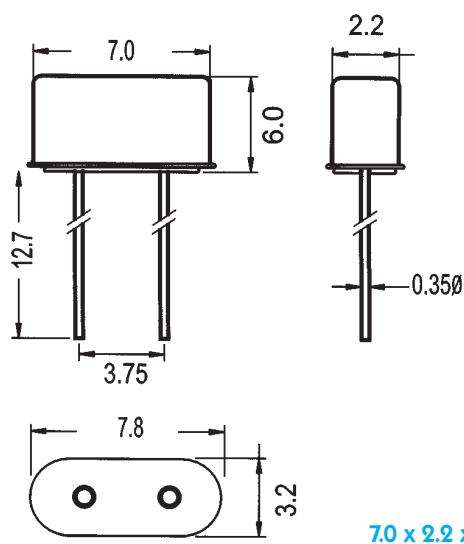
APPLICATION

Ideal for telecommunications such as pagers (beepers), hand-held radios.

ELECTRICAL SPECIFICATIONS	
Model	UM-5
Frequency Range	10.0 MHz ~ 200.0 MHz
Crystal Cut	AT-cut
Load Capacitance (C.)	8 pF ~ 32 pF, Series (Customer Spec.)
Drive Level	100 μ W (500 μ W max.)
Frequency Tolerance (at +25°C)	± 3 ppm / ± 5 ppm / ± 10 ppm / ± 20 ppm / ± 30 ppm
Equivalent Series Resistance	30 Ω ~ 150 Ω max.
Frequency Stability	± 5 ppm / ± 10 ppm / ± 15 ppm / ± 20 ppm / ± 25 ppm / ± 30 ppm / ± 50 ppm / ± 100 ppm
Operating Temperature Range	-10°C to +60°C, -20°C to +70°C, -40°C to +85°C option
Storage Temperature Range	-50°C to +105°C
Aging (at +25°C) first year	± 3 ppm / year max.

Dimensions (Units: mm)

Package: UM-5



OPTIONS:

Also available as SMD crystal
(gullwing with metal jacket) - UM-5/MJ.

Auch in SMD Version verfügbar
(Gullwing mit Metal Jacket) - UM-5/MJ.

*Crystals...
and more*

Now available

RoHS
COMPLIANT
2002/95/EC

**digital electronic
siegfried lehrer gmbh**
Bubzheimer Str. 5
D-89340 Leipzig (Germany)
www.digitallehrer.de
digital@digitallehrer.de

Telefon +49 (0) 82 21 / 7 08 - 0 · Telefax +49 (0) 82 21 / 7 08 - 80

All specifications subject to change without notice.