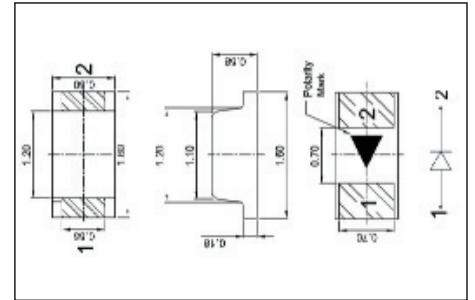
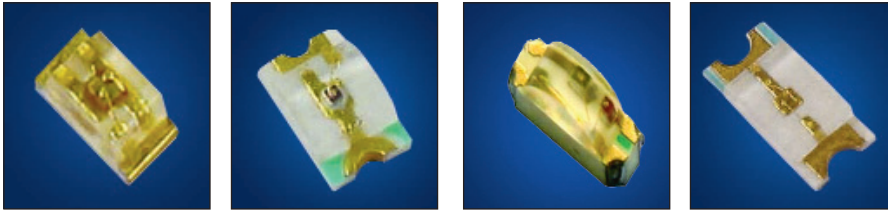
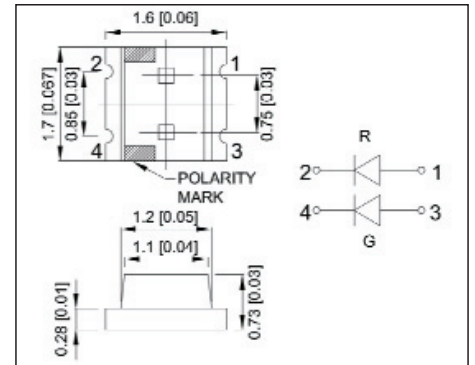
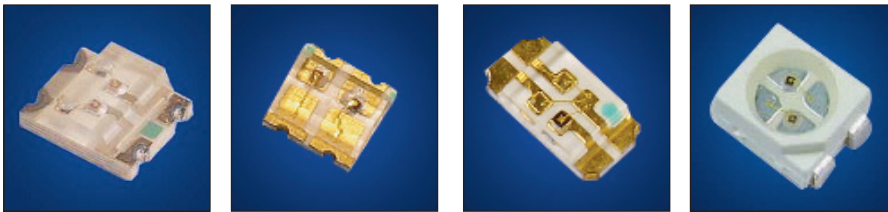


## SMD Lichtleisten / SMD Light Bar

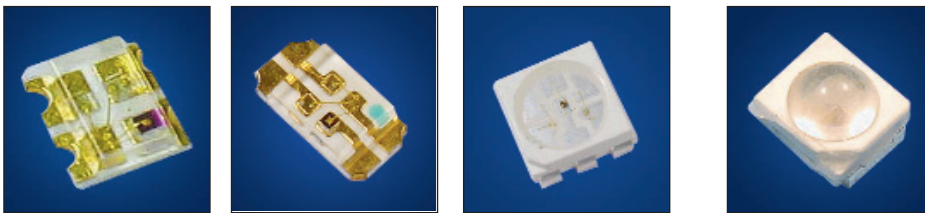
### Single SMD Light Bar



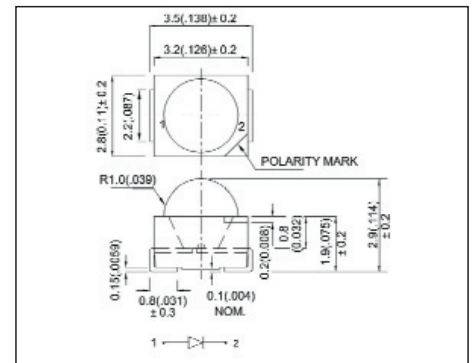
### Double SMD Light Bar



### Tri-colour SMD Light Bar



### Domed SMD Light Bar



### Technical Specification

- Easy connection, detachable every 3 LEDs. The detachable point is marked by a black line on the PCB. After cutting, both parts can still work independently under 12V DC power, and can still be joined together by wires and snap-in connectors.
- Only parallel connection is allowed.
- Easily can be connected by cable connector in series end by end.
- Available colors: red, green, blue, amber, white, RGB tri-color, etc.
- Harmonious light with wide viewing angle 100~120 degrees.
- Interconnecting wire length: 100 mm.
- Size of the smallest separable 3-LED unit (L x W):
  - 46 x 8 mm (single colour)
  - 56 x 10 mm (RGB tri-colour)
- Size of the whole strip (L x W x H):
  - 480 x 8 x 6,5 mm (single colour)
  - 570 x 10 x 6,5 mm (RGB tri-colour)

### Applications

- Edge-lighting of transparent or diffused materials.
- Path & Contour Marking.
- Emergency / Rescue Signs.
- To couple light into transparent or diffused glass.

### Side View SMD Light Bar

