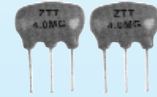


PRODUKT-INFO

ZTT SERIES RESONATOR

FEATURES

1. Built-in capacitor.
2. Wide frequency range.
3. Low Cost.
4. High Stability.
5. Small compact size.

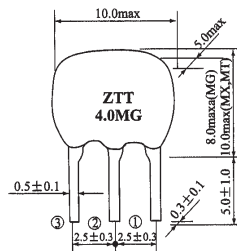


Actual Size

ELECTRICAL SPECIFICATIONS

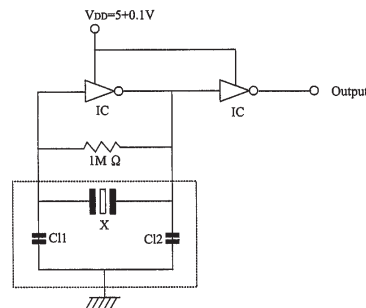
Model	ZTT ... MG			ZTT ... MT	ZTT ... MX
Frequency Range	1.8 to 2.99 MHz	3.0 to 3.49 MHz	3.5 to 5.99 MHz	6.0 to 12.99 MHz	13.0 to 50.0 MHz
Frequency Accuracy (at +25°C) (%)	±0.5	±0.5	±0.5	±0.5	±0.5
Stability in Temperature -20°C to +80°C (%)	±0.3	±0.3	±0.3	±0.3	±0.3
Aging for 10 years (%)	±0.3	±0.3	±0.3	±0.3	±0.3
Resonator Resistance (Ω) max.	80	50	30	25	35
Withstanding Voltage (5 sec. max.)	100V _{DC}	100V _{DC}	100V _{DC}	100V _{DC}	100V _{DC}
Insulation Resistance min. (at 10V _{DC})	5 x 10 ⁸ Ω	5 x 10 ⁸ Ω	5 x 10 ⁸ Ω	5 x 10 ⁸ Ω	5 x 10 ⁸ Ω

Dimensions (Units: mm)



10.0 x 10.0/15.0

Test Circuit for MOS IC



IC: 1/6TC4069UBPX 2 (8.0 to 12.99 MHz)
 IC: 1/6TC74HCU04 (13.0 to 50.0 MHz)
 X: Ceramic Resonator
 CL1=CL2=30 pF ±20%

*Crystals...
and more*

Now available

RoHS
COMPLIANT
2002/95/EC



**digital electronic
siegfried lehrer gmbh**
 Bubzsheimer Str. 5
 D-89340 Leipheim (Germany)
 www.digitallehrer.de
 digital@digitallehrer.de

Telefon +49 (0) 82 21 / 7 08 - 0 · Telefax +49 (0) 82 21 / 7 08 - 80

All specifications subject to change without notice.