

PRODUKT-INFO

CPX-22 SMD CRYSTAL

FEATURES

1. Ultra-thin and small type surface mounting quartz crystal with height only 0.45 mm.
2. A highly reliable seam welding sealing is adopted to assure high realization and reflow soldering is possible.
3. Automatic mounting is enabled by emboss taping.



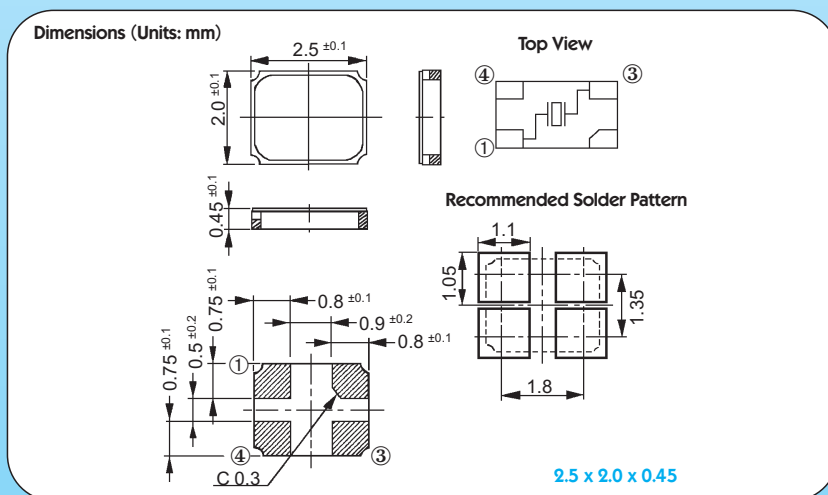
Actual Size



APPLICATION

Cellphones, Bluetooth, Modems, Keyless-Go Systems, Automotive, etc.

ELECTRICAL SPECIFICATIONS		
Model	CPX-22	
Frequency Range	12.0 MHz ~ 54.0 MHz	
Oscillation Mode / Crystal Cut	Fundamental / AT-cut	
Load Capacitance (C _L)	8 pF ~ 12 pF (Customer Spec.)	
Drive Level	50 μW (100 μW max.)	
Frequency Tolerance (at +25°C)	±10 ppm / ±15 ppm / ±30 ppm	
Equivalent Series Resistance	12.0 MHz ~ 15.999 MHz	120 Ω max.
	16.0 MHz ~ 19.999 MHz	100 Ω max.
	20.0 MHz ~ 29.999 MHz	80 Ω max.
	30.0 MHz ~ 54.000 MHz	50 Ω max.
Frequency Stability	±10 ppm / ±15 ppm / ±30 ppm	
Operating Temperature Range	-20°C to +70°C, -40°C to +85°C option	
Storage Temperature Range	-40°C to +85°C	
Aging (at +25°C) first year	±2 ppm / year max.	



*Crystals...
and more*

Now available



**digital electronic
siegfried lehrer gmbh**
Rudolf-Wanzl-Str. 3+5
D-89340 Leipheim / Germany
www.digitallehrer.de
digital@digitallehrer.de

Telefon 0 82 21 / 7 08 - 0 · Telefax 0 82 21 / 7 08 - 80

All specifications subject to change without notice.