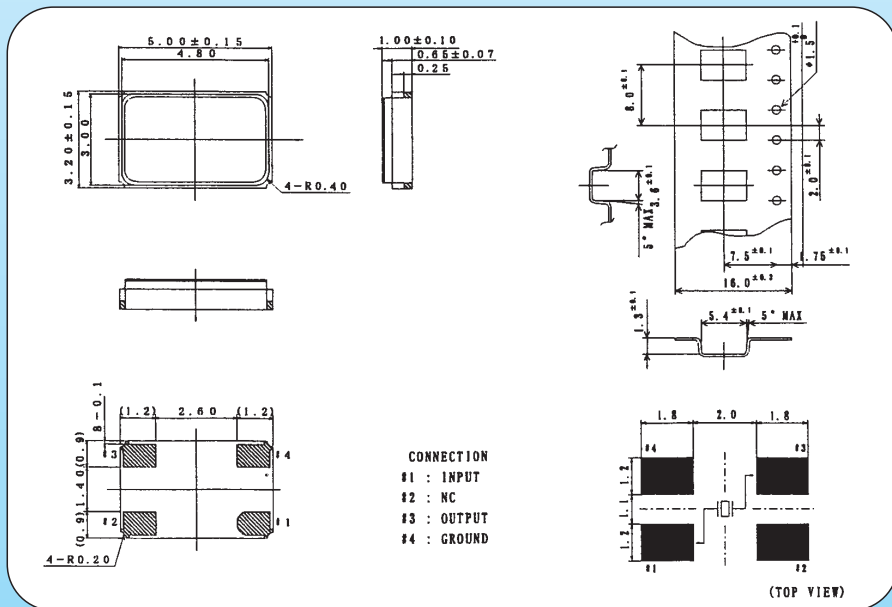


PRODUKT-INFO

CPX-49 SP SMD CRYSTAL

STANDARD SPECIFICATION	CERAMIC PACKAGE WITH SEAM WELDING
Model	CPX-49SP (1.1 mmH)
Frequency Range	10 MHz ~ 45 MHz
Frequency Tolerance (25 ± 3°C)	± 10 ppm ~ ± 50 ppm (25 ± 2°C)
Frequency Stability	± 5ppm ~ 50ppm
Operating Temperature Range	- 10°C to + 60°C
Equivalent Series Resistance	30 Ω ~ 50 Ω Max.
Drive Level	10 μw (100 μW Max)
Load Capacitance	12pF, 20pF ect
Operable Temperature Range	- 40°C to + 85°C



*Crystals...
and more*



**digital electronic
siegfried lehrer gmbh**
Bubesheimer Str. 5
D-89340 Leipheim (Germany)
<http://www.digitallehrer.de>
E-Mail: digital@digitallehrer.de