

# PRODUKT-INFO

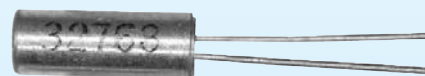
## TC-38 • TC-26 • TC-15 TUNING FORK (UHRENQUARZ)

### FEATURES

1. Because of their excellent shock resistance and low power consumption, the units are ideal for portable equipment.
2. Cylinder type metal package / holder.

### APPLICATION

Used as a clock source for communication equipment, AV equipment, OA equipment, measuring instruments and various types of clocks.



TC-38



TC-26

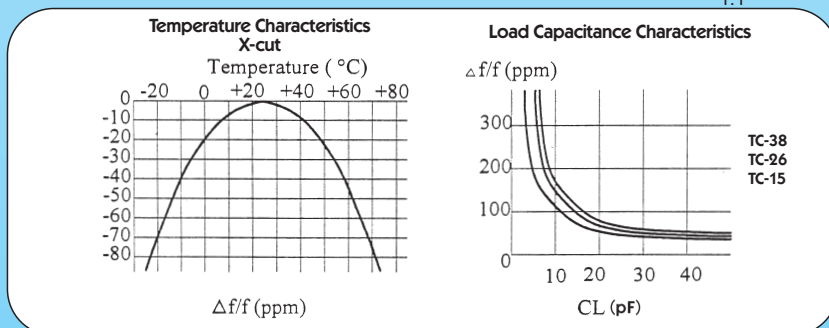
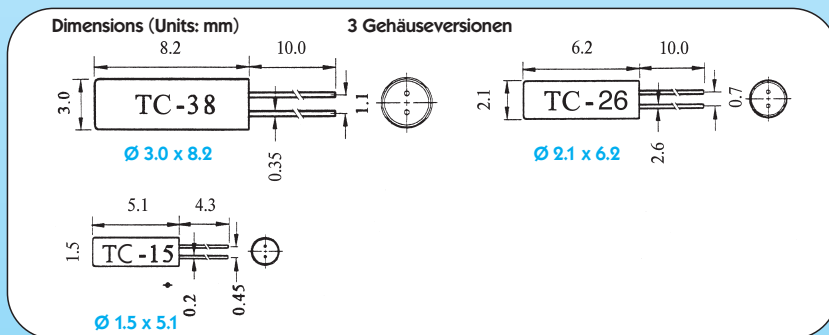


TC-15

Actual Size

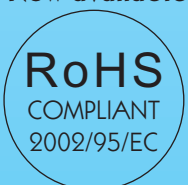


| ELECTRICAL SPECIFICATIONS          |                                       |
|------------------------------------|---------------------------------------|
| Model                              | TC-38 • TC-26 • TC-15                 |
| Frequency                          | 32.768 kHz                            |
| Frequency Tolerance (at +25°C)     | ±5 ppm / ±10 ppm / ±20 ppm            |
| Turn Over Temperature              | at +25°C ±5°C                         |
| Frequency Coefficient              | -0.034 ppm / °C² max. typical         |
| Operating Temperature Range        | -10°C to +60°C, -40°C to +85°C option |
| Load Capacitance (C <sub>L</sub> ) | 10 pF, 12.5 pF, etc. (Customer Spec.) |
| Storage Temperature Range          | -20°C to +70°C                        |
| Shunt Capacitance                  | 0.85 pF typical, 2 pF max.            |
| Motional Capacitance               | 2 fF typical                          |
| Equivalent Series Resistance       | 50 000 Ω max.                         |
| Insulation Resistance              | 500 MΩ min. at 100 V <sub>DC</sub>    |
| Drive Level                        | 1 μW max.                             |
| Aging (at +25°C) first year        | ±5 ppm / year max.                    |



Crystals...  
and more

Now available



digital electronic  
siegfried lehrer gmbh  
Rudolf-Wanzl-Str. 3+5  
D-89340 Leipzig / Germany  
www.digitallehrer.de  
digital@digitallehrer.de