

PRODUKT-INFO

UM-1 CRYSTAL HIGH PRECISION

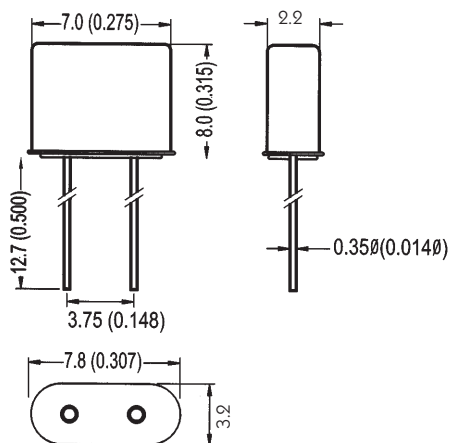
Now available

RoHS
COMPLIANT
2002/95/EC

- Wide frequency range.
- Tight tolerance and stability over temperature.
- Miniature and compact.
Ideal for telecommunications such as pagers (beepers), hand-held radios.

ELECTRICAL SPECIFICATIONS	
Model	UM-1
Frequency Range	1.0~1.2, 4.0~ 200.0 MHz
Crystal Cut	SL-cut, AT-cut
Load Capacitance	Series, 8pF ~ 32pF
Drive Level	100 μ W max.
Frequency Tolerance (at + 25°C)	SL: ± 50 ppm AT: ± 3 ppm, ± 5 ppm, ± 7 ppm, ± 10 ppm, ± 20 ppm, ± 30 ppm
Equivalent Series Resistance	25 Ω ~ 5K Ω max.
Frequency Stability	SL: ± 100 ppm AT: ± 5 ppm, ± 7 ppm, ± 10 ppm, ± 20 ppm, ± 30 ppm (at -10° C to +60° C)
Operating Temperature Range	-10° C to +60° C
Aging	± 2 ppm/year max.
Storage Temperature Range	-40° C to +85° C

Package: UM-1



Unit : mm (inches)

*Crystals...
and more*

**digital electronic
siegfried lehrer gmbh**
Bubesheimer Str. 5
D-89340 Leipheim (Germany)
<http://www.digitallehrer.de>
E-Mail: digital@digitallehrer.de

All specifications subject to change without notice.

Digital Electronic Siegfried Lehrer GmbH
Bubesheimer Str. 5 · 89340 Leipheim / Germany
Telefon 0 82 21 / 7 08 0 · Telefax 0 82 21 / 7 08 80 · e-mail: digital@digitallehrer.de