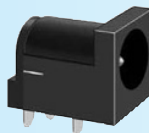
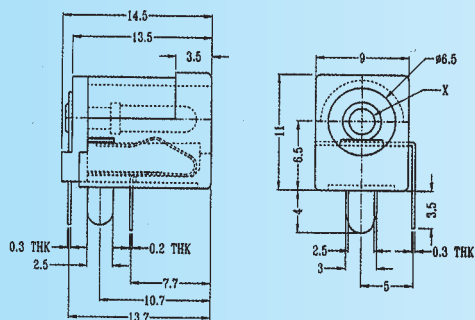
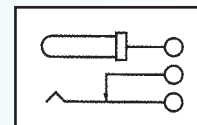


## DS-012 SERIES

Rating: 0.3A 30V DC

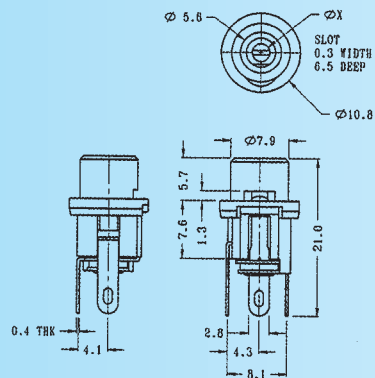


DIA.OF PIN`X` A=2.5 mm
DIA.OF PIN`X` B=2.0 mm
DIA.OF PIN`X` C=2.35 mm
DIA.OF PIN`X` G=3.0 mm

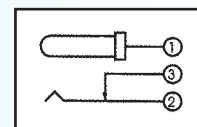


## DS-025 SERIES

Rating: 0.3A 30V DC



DS-025-A	X=2.5 mm
DS-025-A-S	X=2.5 mm (With Slot)
DS-025-B	X=2.0 mm
DS-025-B-S	X=2.0 mm (With Slot)



## DS-026 SERIES

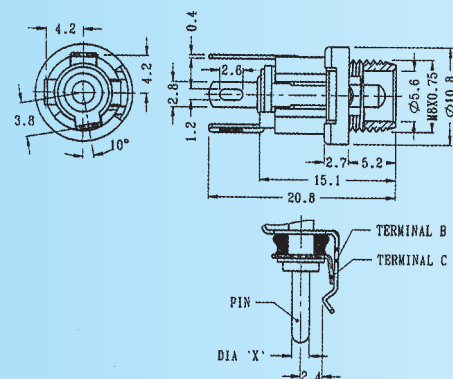
Rating: 0.3A 30V DC

Optional Accessory:

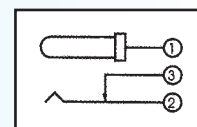
AZ-003 (NUT)

AZ-007 (SPRING WASHER)

AZ-006 (WASHER)



DS-026-A	X=2.5 mm
DS-026-A-S	X=2.5 mm (With Slot)
DS-026-B	X=2.0 mm
DS-026-B-S	X=2.0 mm (With Slot)



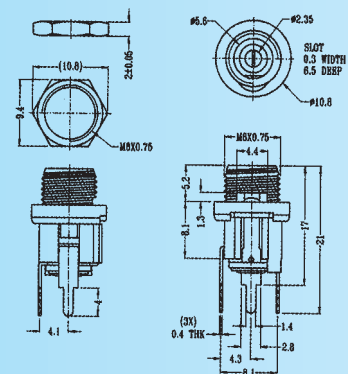
## DS-046 SERIES

Rating: 0.3A 30V DC

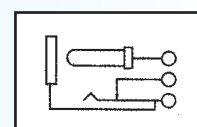
Optional Accessory:

AZ-003 (NUT)

AZ-007 (SPRING WASHER)



DS-046-A	X=2.5 mm
DS-046-A-S	X=2.5 mm (With Slot)
DS-046-B	X=2.0 mm
DS-046-B-S	X=2.0 mm (With Slot)
DIA.OF PIN`X` C=2.35 mm	

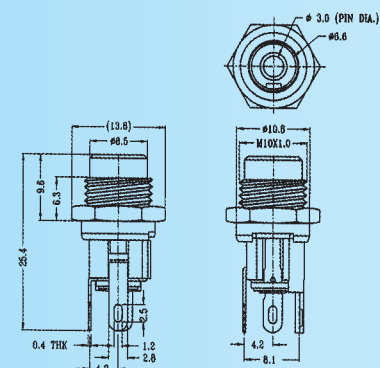


## DS-048 SERIES

Rating: 0.3A 30V DC

Optional Accessory: AZ-003 (NUT)

AZ-007 (SPRING WASHER)



DIA.OF PIN`X` G=3.0mm
-----------------------

