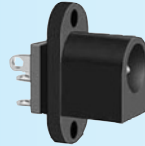
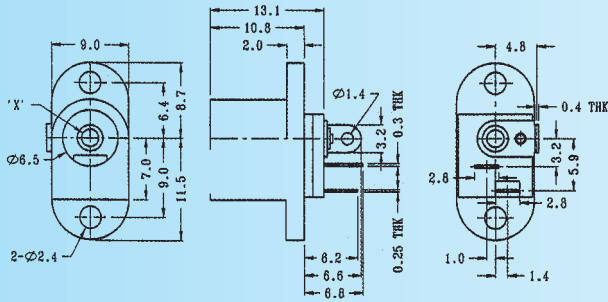
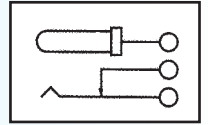


## DS-204 SERIES

Rating: 0.3A 30V DC

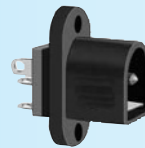
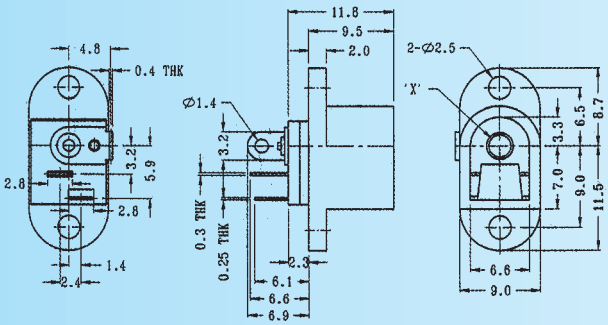


DIA.OF PIN "X" A=2.5 mm
DIA.OF PIN "X" B=2.0 mm
DIA.OF PIN "X" C=2.35 mm

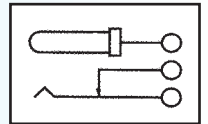


## DS-205 SERIES

Rating: 0.3A 30V DC

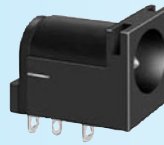
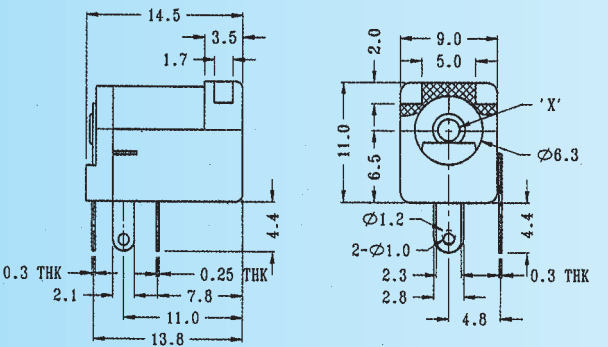


DIA.OF PIN "X" A=2.5 mm
DIA.OF PIN "X" B=2.0 mm
DIA.OF PIN "X" C=2.35 mm
DIA.OF PIN "X" G=3.0 mm

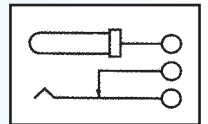


## DS-208 SERIES

Rating: 0.3A 30V DC

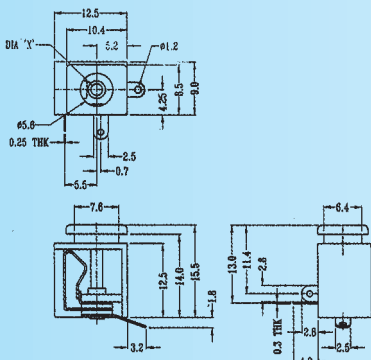


DIA.OF PIN "X" A=2.5 mm
DIA.OF PIN "X" B=2.0 mm
DIA.OF PIN "X" C=2.35 mm

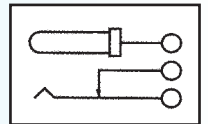


## DS-209 (Ø 5.6) SERIES

Rating: 0.3A 30V DC

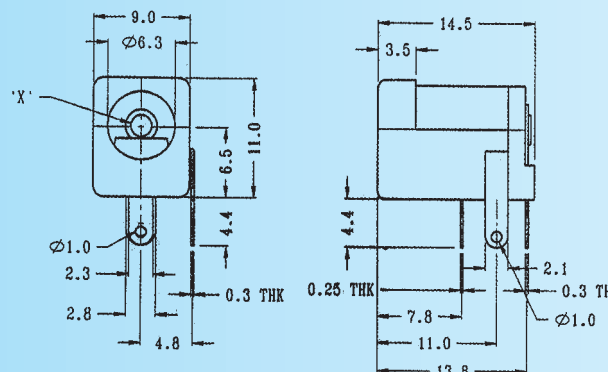


DIA.OF PIN "X" A=2.5 mm
DIA.OF PIN "X" B=2.0 mm
DIA.OF PIN "X" C=2.35 mm



## DS-210 SERIES

Rating: 0.3A 30V DC



DIA.OF PIN "X" A=2.5 mm
DIA.OF PIN "X" A=2.5 mm
DIA.OF PIN "X" B=2.0 mm
DIA.OF PIN "X" C=2.35 mm
DIA.OF PIN "X" F=1.35 mm
DIA.OF PIN "X" K=1.7 mm
DIA.OF PIN "X" M=1.9 mm
DIA.OF PIN "X" H=1.5 mm

