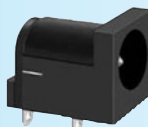
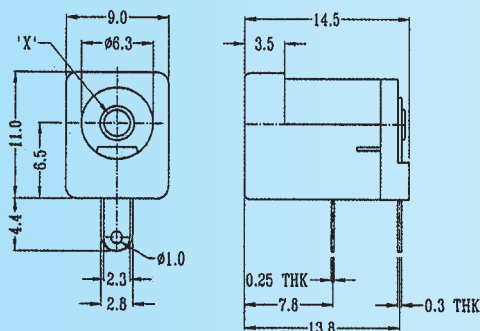
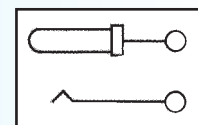


DS-211 SERIES

Rating: 0.3A 30V DC

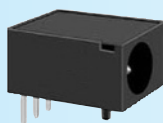
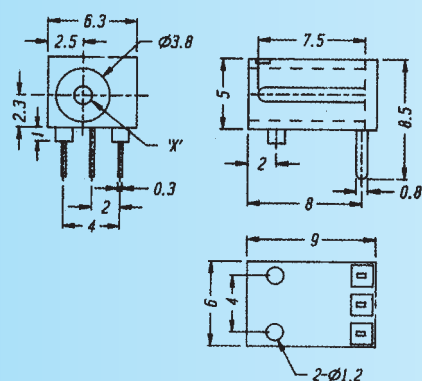


DIA.OF PIN`X` A=2.5 mm
DIA.OF PIN`X` B=2.0 mm
DIA.OF PIN`X` C=2.35 mm

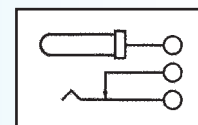


DS-213 SERIES

Rating: 0.3A 30V DC



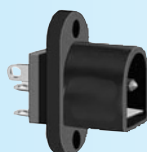
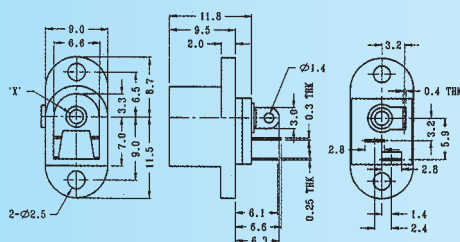
DIA.OF PIN`X` E=1.0 mm
DIA.OF PIN`X` D=1.3 mm



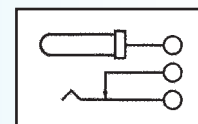
DS-215 SERIES

(PHENOLIC RESIN TERMINAL BASE)

Rating: 0.3A 30V DC

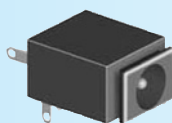
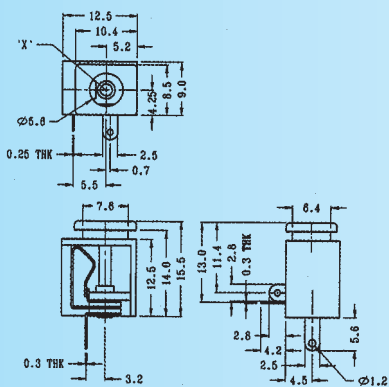


DIA.OF PIN`X` A=2.5 mm
DIA.OF PIN`X` B=2.0 mm
DIA.OF PIN`X` C=2.35 mm

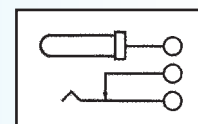


DS-218 SERIES ($\phi 5.6$)

Rating: 0.3A 30V DC

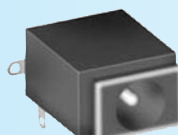
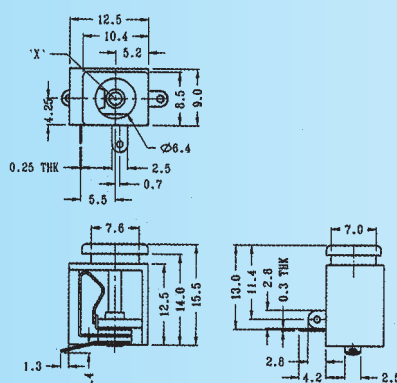


DIA.OF PIN`X` A=2.5 mm
DIA.OF PIN`X` B=2.0 mm
DIA.OF PIN`X` C=2.35 mm



DS-219 SERIES ($\phi 6.4$)

Rating: 0.3A 30V DC



DIA.OF PIN`X` A=2.5 mm
DIA.OF PIN`X` B=2.0 mm
DIA.OF PIN`X` C=2.35 mm
DIA.OF PIN`X` G=3.0 mm

