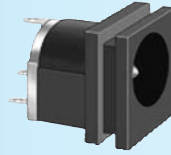
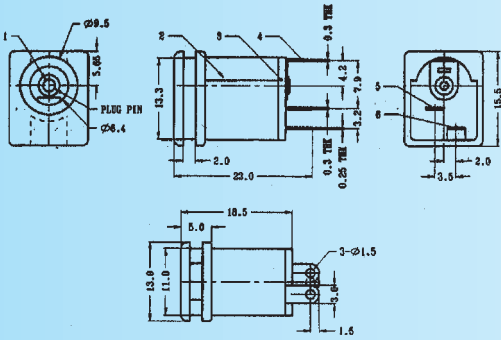
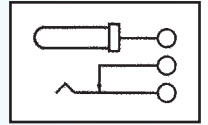


DS-259 SERIES

(PHENOLIC RESIN TERMINAL BASE)
Rating: 0.3A 30V DC

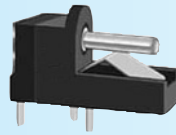
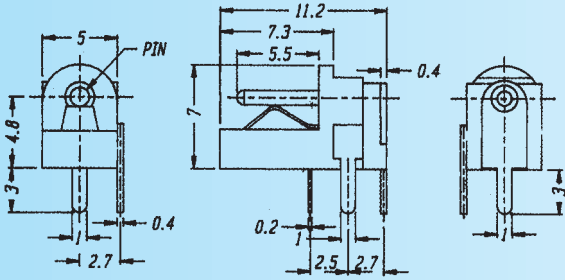


DIA.OF PIN`X` A=2.5 mm
DIA.OF PIN`X` B=2.0 mm
DIA.OF PIN`X` C=2.35 mm

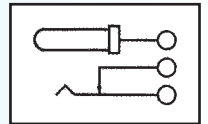


DS-303 SERIES

Rating: 0.3A 30V DC

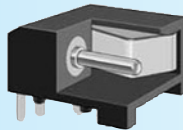
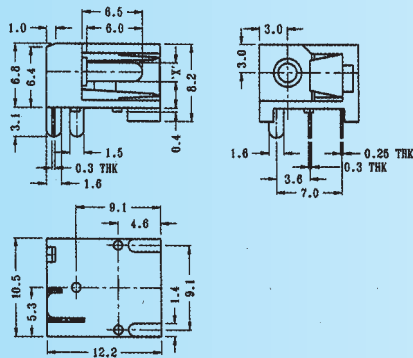


DIA.OF PIN`X` D=1.3 mm
DIA.OF PIN`X` E=1.0 mm
DIA.OF PIN`X` F=1.35 mm
DIA.OF PIN`X` S=0.6 mm

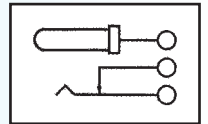


DS-306 SERIES

Rating: 0.3A 30V DC

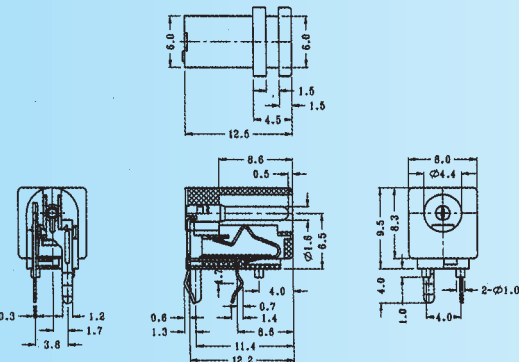


DIA.OF PIN`X` A=2.5 mm
DIA.OF PIN`X` B=2.0 mm
DIA.OF PIN`X` C=2.35 mm

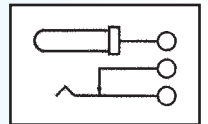


DS-308

Rating: 0.3A 30V DC

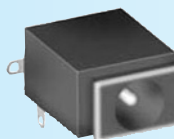
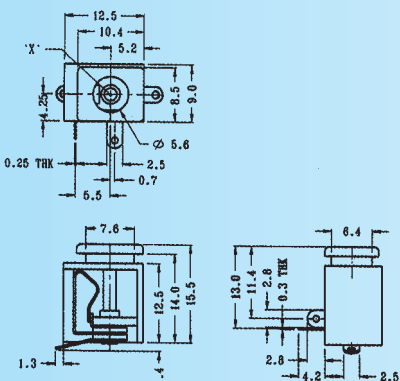


DIA.OF PIN`X` A=1.6 mm



DS-309 (ø 5.6) SERIES

Rating: 0.3A 30V DC



DIA.OF PIN`X` A=2.5 mm
DIA.OF PIN`X` B=2.0 mm
DIA.OF PIN`X` C=2.35 mm

