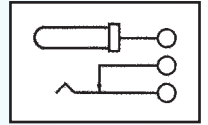
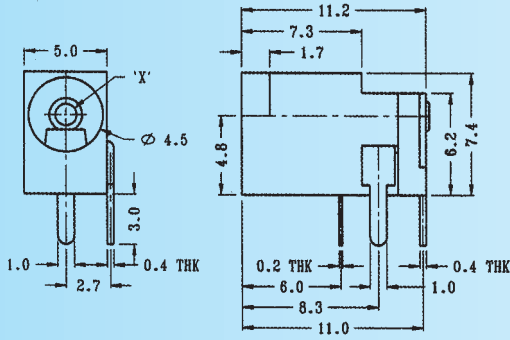


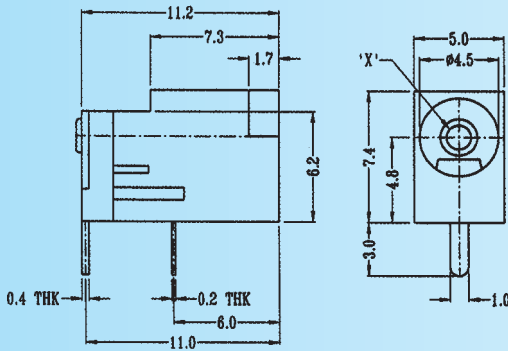
DS-313

Rating: 0.3A 30V DC

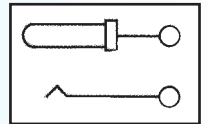


DS-314 SERIES

Rating: 0.3A 30V DC

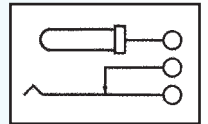
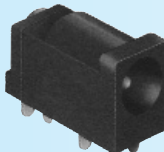
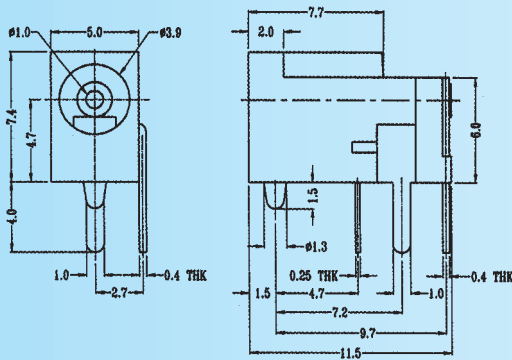


DIA.OF PIN "X" D=1.3 mm
DIA.OF PIN "X" E=1.0 mm
DIA.OF PIN "X" F=1.35 mm



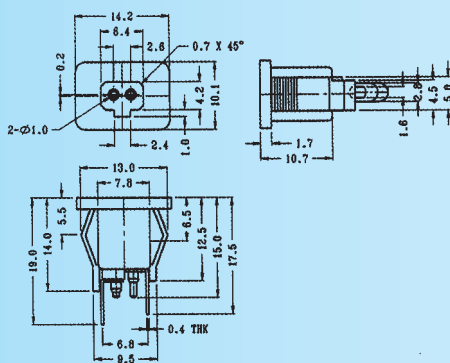
DS-383

Rating: 0.3A 30V DC

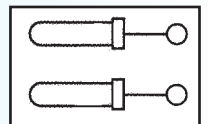


DS-404

Rating: 0.3A 30V DC

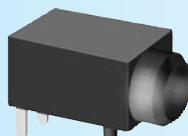
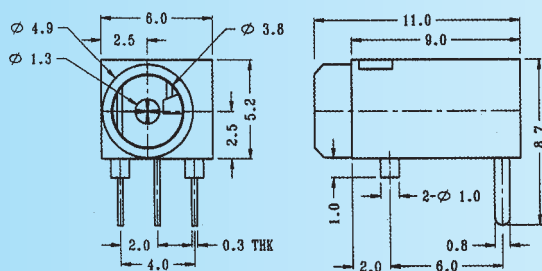


DIA.OF PIN "X" E=1.0 mm



DS-413 SERIES

Rating: 0.3A 30V DC



DIA.OF PIN "X" D=1.3 mm
DIA.OF PIN "X" E=1.0 mm

