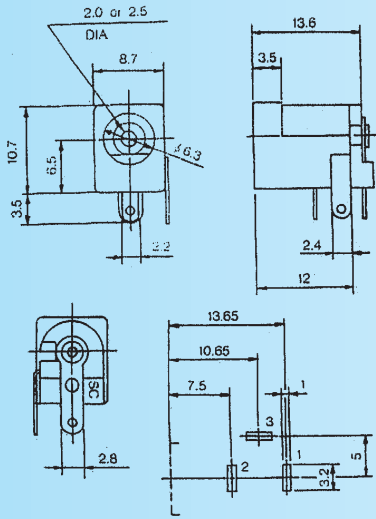


DS-2009

Rating: 0.3A 12V DC
3 Pins



DS-2009 Ø 2.0 mm center pin
DS-2009 Ø 2.5 mm center pin

