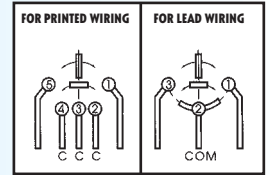
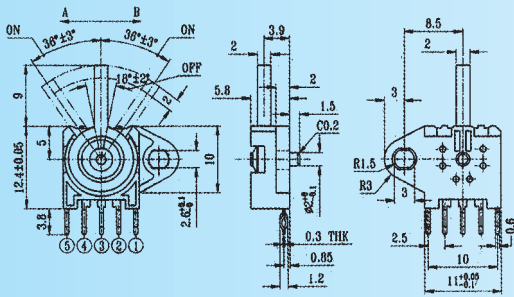


CDR-3303

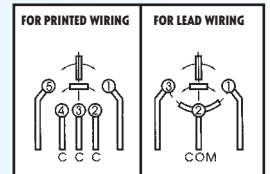
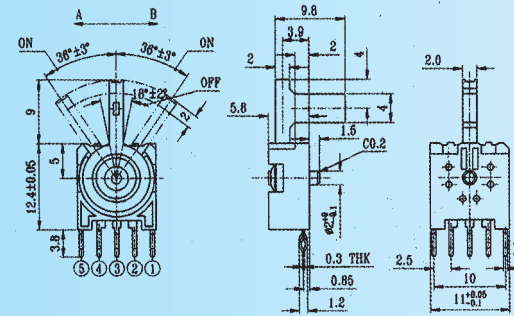
Rating: 0.1A 12V DC



1. OPERATING FORCE: 70 gf
2. INITIAL CONTACT RESISTANCE 100mΩ MAX

CDR-3304

Rating: 0.1A 12V DC



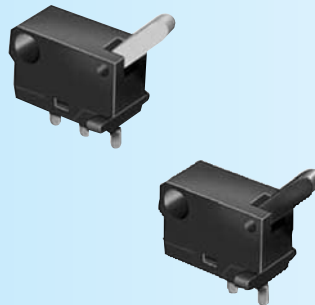
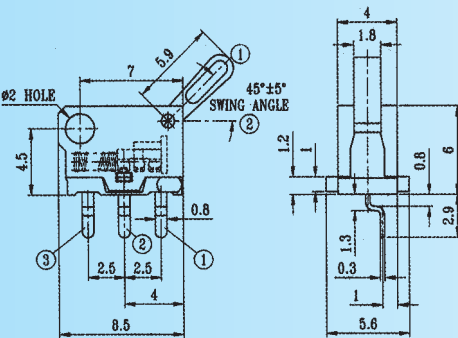
1. INITIAL CONTACT RESISTANCE 100mΩ MAX
2. OPERATING FORCE: 70 gf

**MX-001A
MX-001B**

Rating: 0.1A 30V DC

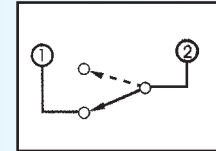
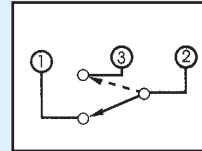
Function: 1P2T

OPERATING FORCE: 50 gf ± 20 gf



CIRCUIT DIAGRAM

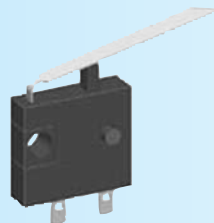
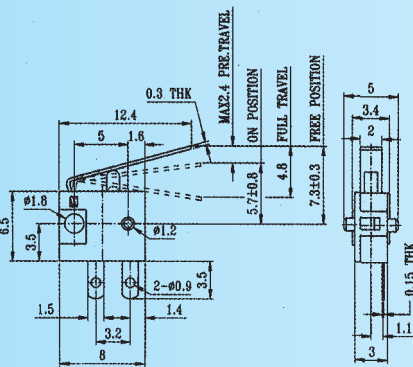
CIRCUIT DIAGRAM



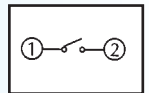
**MX1201 (with lever)
MX1202 (without lever)**

Rating: 0.1A 30V DC

Function: 1P1T



CIRCUIT DIAGRAM

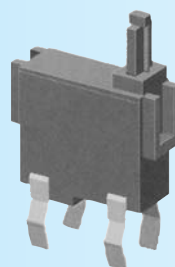
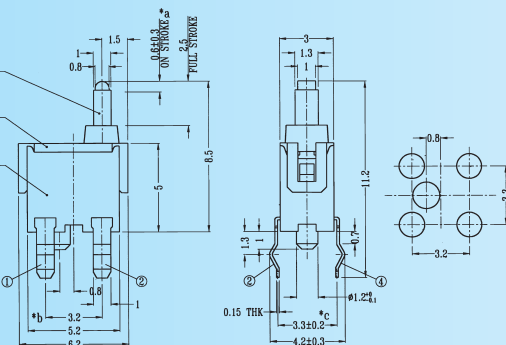


1. OPERATING FORCE: 20 gf ± 10 gf
2. INITIAL CONTACT RESISTANCE 100mΩ MAX

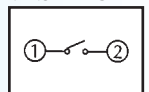
TC-0031

Rating: 0.1A 30V DC

Function: 1P1T



CIRCUIT DIAGRAM



1. OPERATING FORCE: 40 gf ± 10 gf
2. INITIAL CONTACT RESISTANCE 1000mΩ MAX