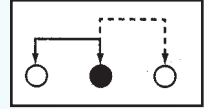


SK-12F06

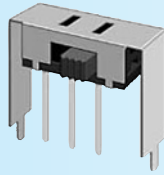
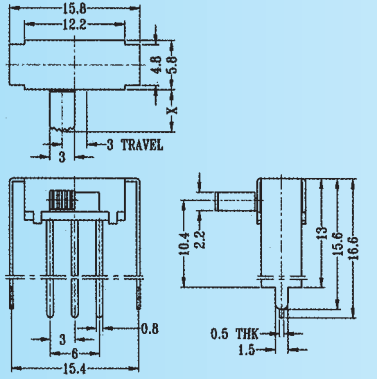
Rating: 0.5A 50V DC
Function: 1P2T



N NON-SHORTING

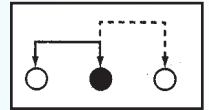
Optional Knob type

GD	GE				



SK-12F09

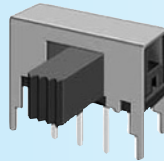
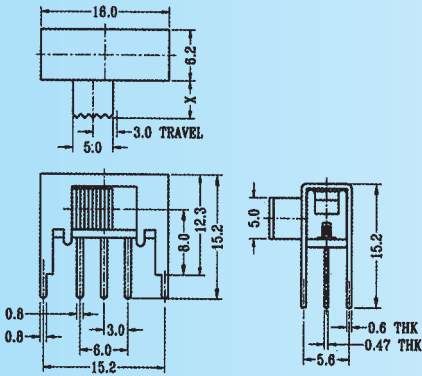
Rating: 0.5A 50V DC
Function: 1P2T



N NON-SHORTING

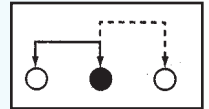
Optional Knob type

GD	GE				



SK-12F10

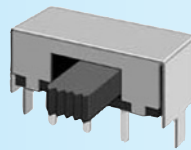
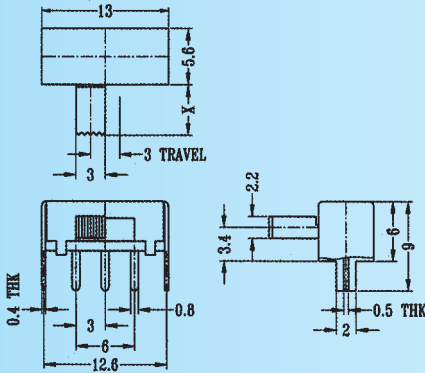
Rating: 0.3A 50V DC
Function: 1P2T



N NON-SHORTING

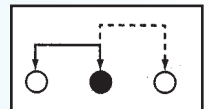
Optional Knob type

GE					



SK-12F14

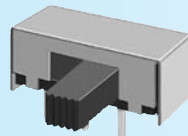
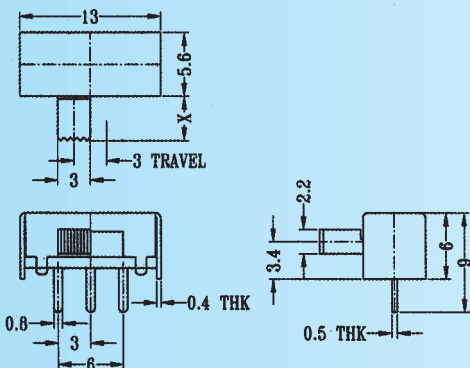
Rating: 0.5A 50V DC
Function: 1P2T



N NON-SHORTING

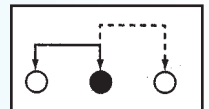
Optional Knob type

GD	GE				



SK-12F15

Rating: 0.5A 50V DC
Function: 1P2T



N NON-SHORTING

Optional Knob type

GD	GE				