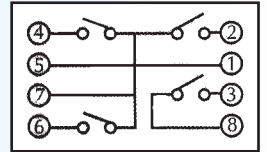
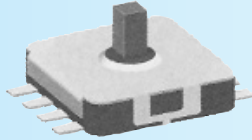
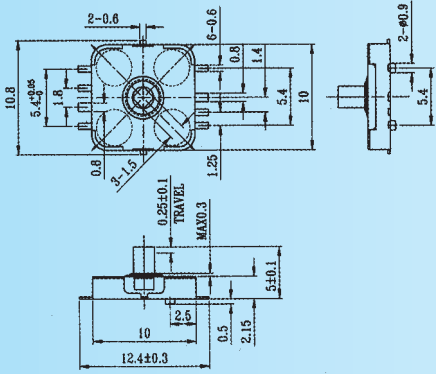


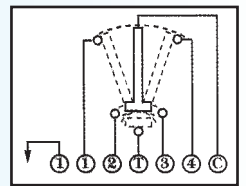
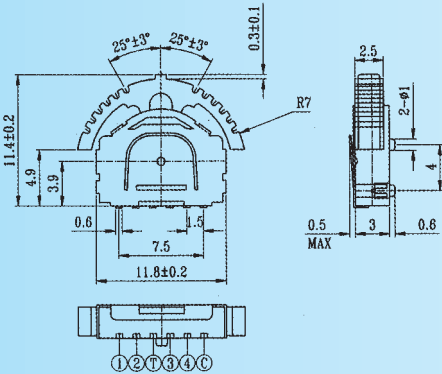
MT-001A

Rating: 50mA 12V DC
 Initial Contact Resistance: 100 mΩ max
 Function: 4 Position



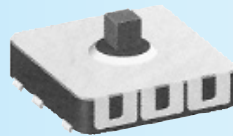
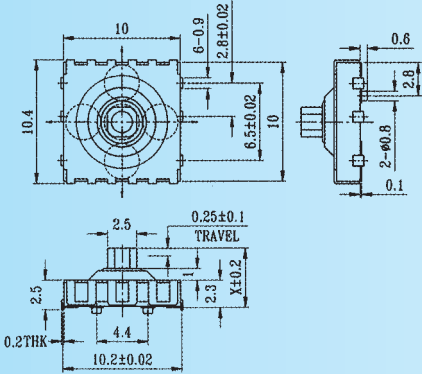
MT-002A

Rating: 50mA 12V DC
 Initial Contact Resistance: 100 mΩ max
 Operating Force: 70 gf
 Push Position: 200 gf

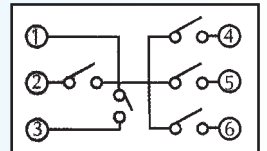


MT-003 SERIES

Rating: 50mA 12V DC
 Operating Force Central: 300 ± 80 gf
 Local: 160 ± 50 gf

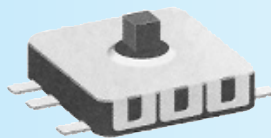
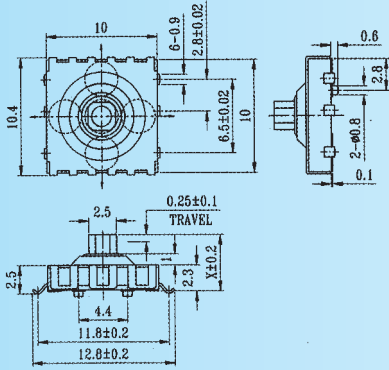


MODEL	X
MT-003A	5
MT-003B	7
MT-003C	9

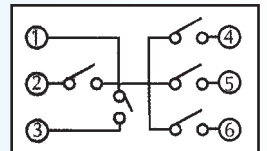


MT-004 SERIES

Rating: 50mA 12V DC
 Operating Force Central: 300 ± 80 gf
 Local: 160 ± 50 gf



MODEL	X
MT-004A	5
MT-004B	7
MT-004C	9



MT-006

Rating: 50mA 12V DC
 1 mA 10V DC (ENCODER)

