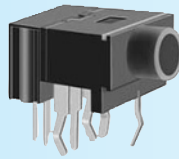
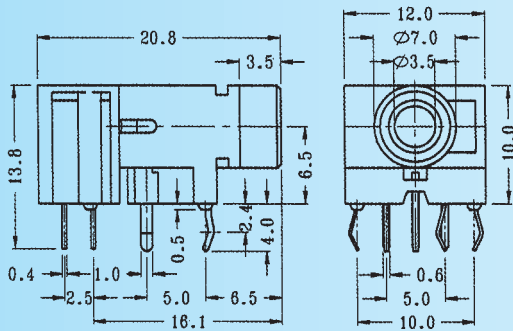
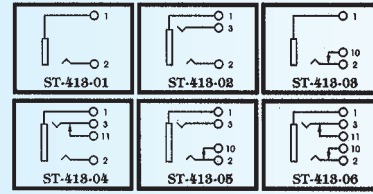


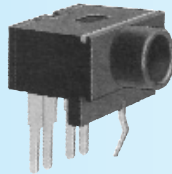
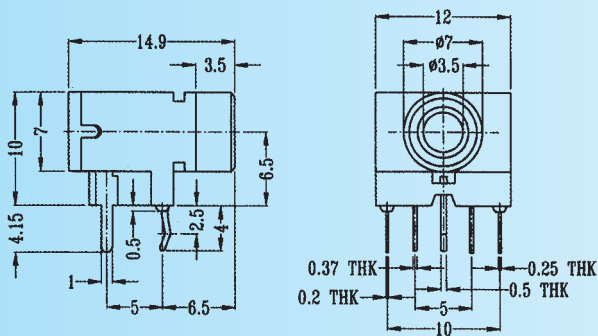
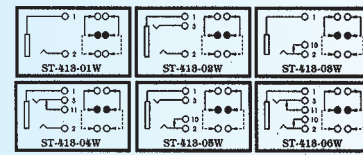
ST-413 SERIES (3.5 mm)

Rating: 0.3A 30V DC



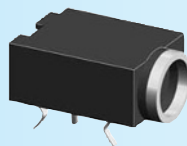
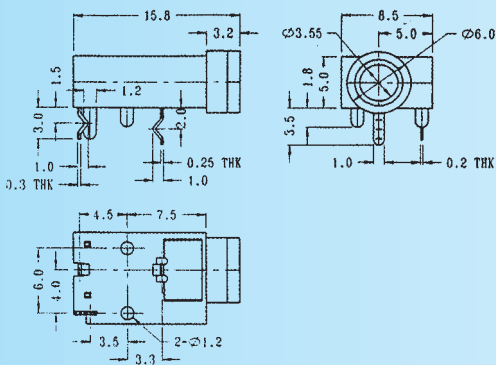
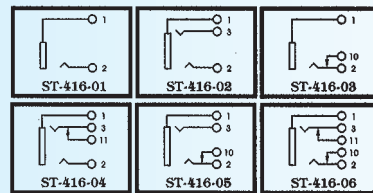
ST-413-W SERIES (3.5 mm)

Rating: 0.3A 30V DC
Function: STEREO W/1P2T



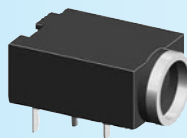
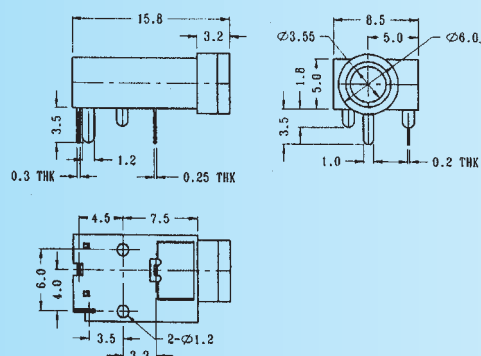
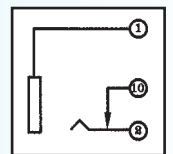
ST-416 SERIES (3.5 mm)

Rating: 0.3A 30V DC
Function: STEREO W/1P2T



ST-603 (3.5 mm)

Rating: 0.3A 30V DC
Function: MONO



ST-613 (3.5 mm)

Rating: 0.3A 30V DC
Function: MONO

