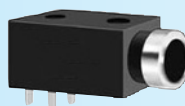
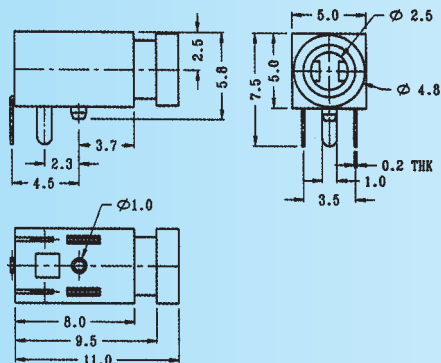
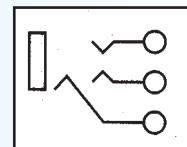


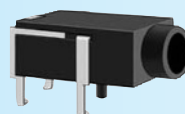
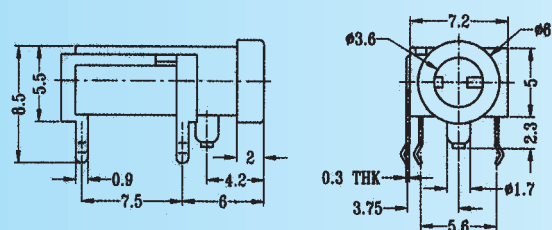
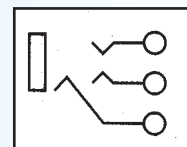
## ST-002

Function: STEREO  
Rating: 0.3A 30V DC



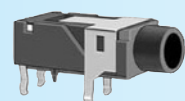
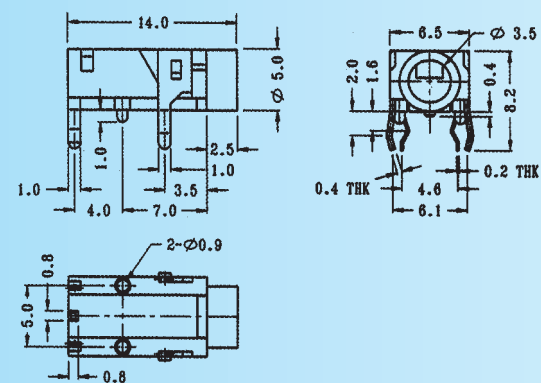
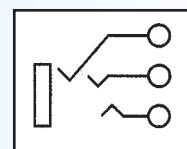
## ST-003

Function: STEREO  
Rating: 0.3A 30V DC



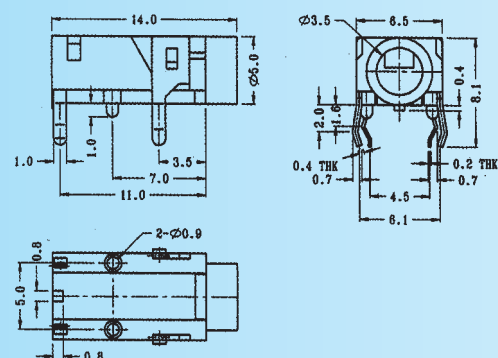
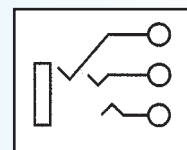
## ST-004

Function: STEREO  
Rating: 0.3A 30V DC



## ST-005

Function: STEREO  
Rating: 0.3A 30V DC



## ST-006 (3.5 mm)

Function: STEREO  
Rating: 0.3A 30V DC

