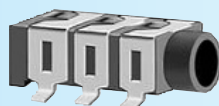
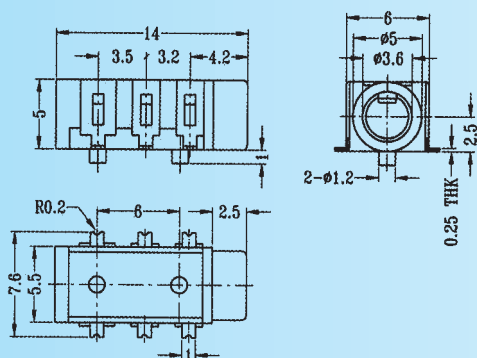
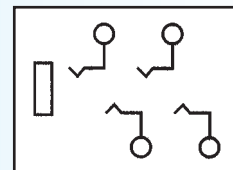


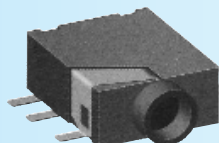
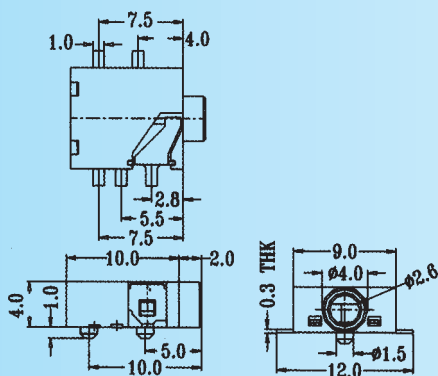
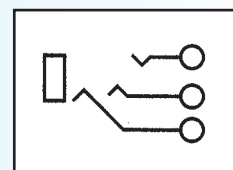
ST-013 (3.5 mm)

Function: STEREO
Rating: 0.3A 30V DC



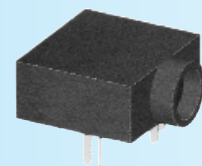
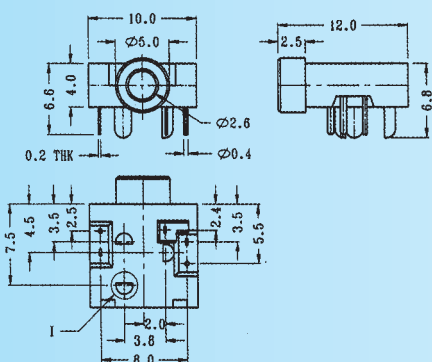
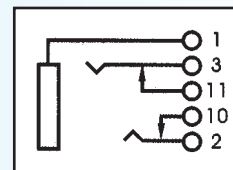
ST-019 (3.5 mm)

Function: STEREO
Rating: 0.3A 30V DC



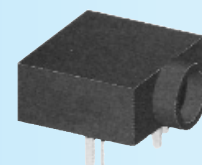
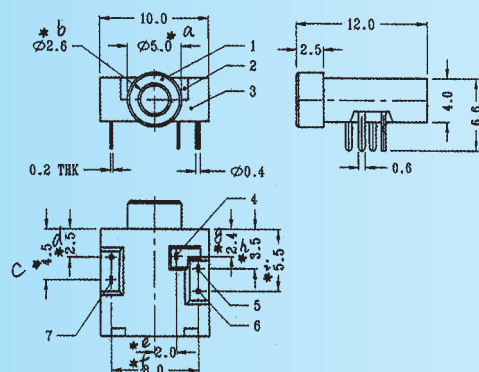
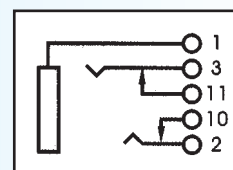
ST-101 (2.5 mm)

Function: STEREO
Rating: 0.3A 30V DC



ST-102A-06 (2.5 mm)

Function: STEREO
Rating: 0.3A 30V DC



ST-102B-06 (2.5 mm)

Function: STEREO
Rating: 0.3A 30V DC

