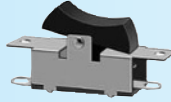
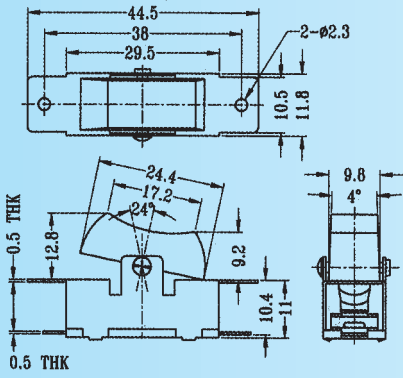


RS-1145

Rating: 0.5A 50V AC
Function: 1P1T



RS-1220

Rating: 0.5A 50V AC
Function: 1P1T

