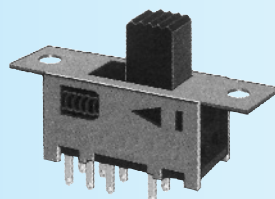
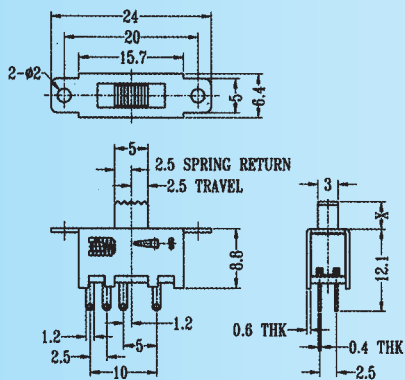
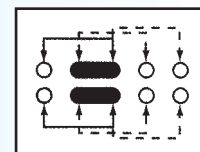


PSS-23E07 (SPRING+LOCK)

Rating: 0.3A 50V DC
Function: 2P3T

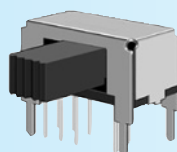
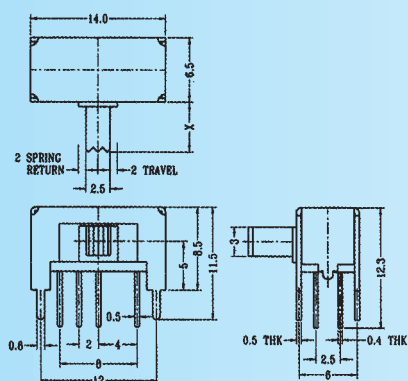
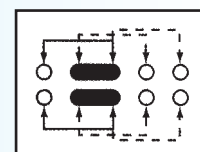
S SHORTING



PSS-23E08 (SPRING+LOCK)

Rating: 0.3A 50V DC
Function: 2P3T

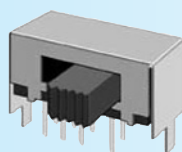
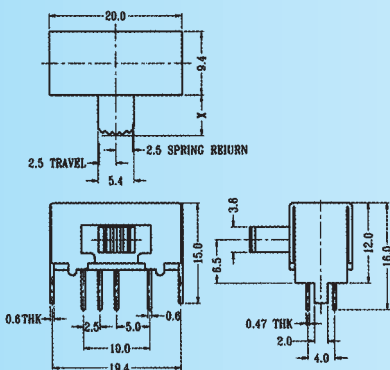
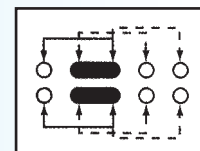
S SHORTING



PSK-23D09

Rating: 0.3A 50V DC
Function: For Pager

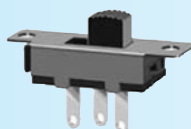
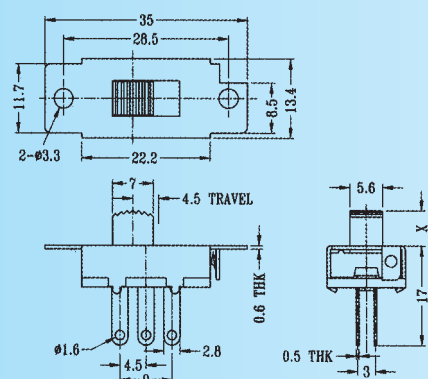
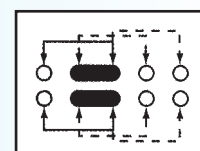
S SHORTING



PSK-23E01

Rating: 0.3A 50V DC
Function: 2P3T

S SHORTING



PS-12101 (SPRING RETURN)

Rating: 1.5A 250V AC
Function: 1P2T

N NON-SHORTING

