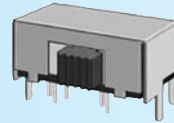
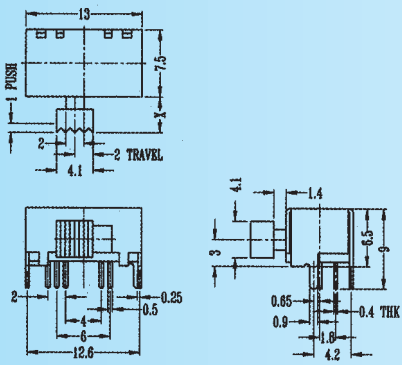
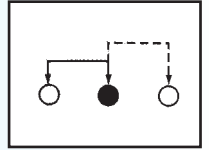


PS-12103 (SPRING RETURN)

Rating: 1.5A 250V AC
Function: 1P2T

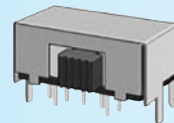
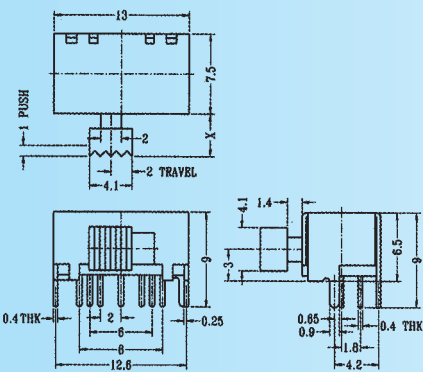
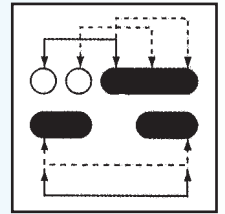
N NON-SHORTING



PS-11B-SK-13D01

Rating: 0.3A 50V DC
Function: 1P3T
(PUSH & SLIDE)

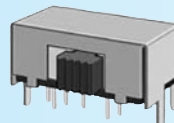
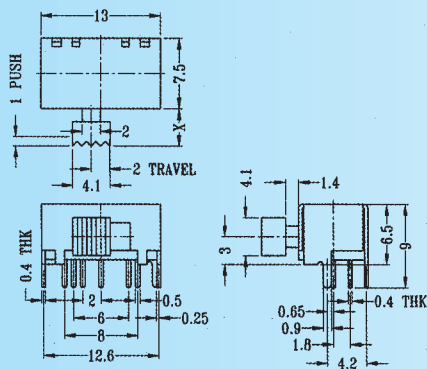
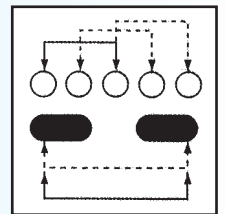
N NON-SHORTING



PS-11B-SK-13D02

Rating: 0.3A 50V DC
Function: 1P3T
(PUSH & SLIDE)

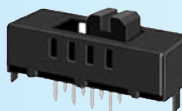
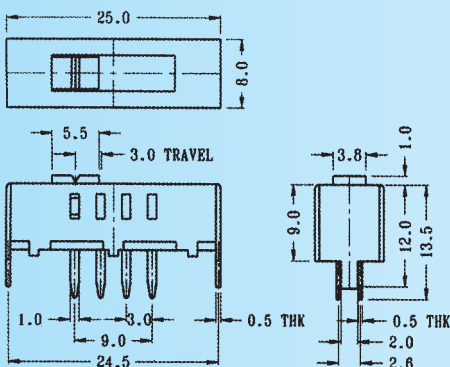
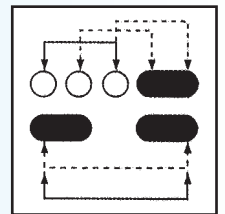
N NON-SHORTING



PS-11B-SK-13D03

Rating: 0.3A 50V DC
Function: 1P3T
(PUSH & SLIDE)

N NON-SHORTING



EX-44F01

Rating: 0.3A 50V DC
Function: 4P4T

S SHORTING

