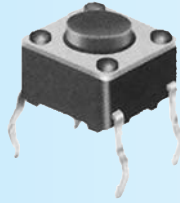
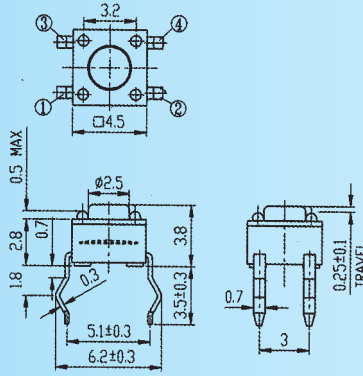


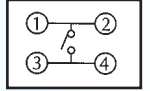
TC-0010 series

CODE	Operating Force (gf)
V	130±30
Z	250±100



1. RATING: DC 12V 50mA
2. TRAVEL: 0.25 ± 0.1 mm
3. CONTACT RESISTANCE 100mΩ max.
4. STEM LENGTH 3.8 mm

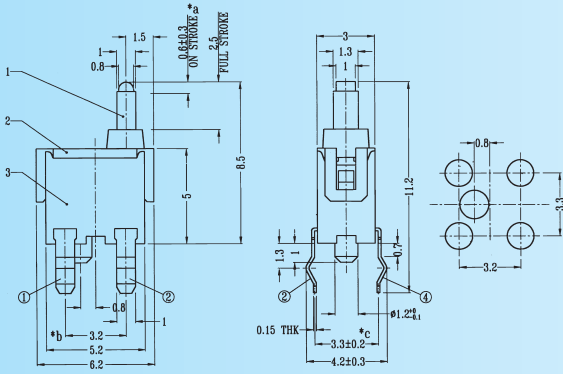
CIRCUIT DIAGRAM



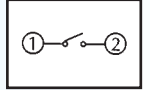
TC-0031

Rating: 0.1A 30V DC
Function: 1P1T

1. OPERATING FORCE: 40 gf ± 10 gf
2. INITIAL CONTACT RESISTANCE 1000mΩ max.

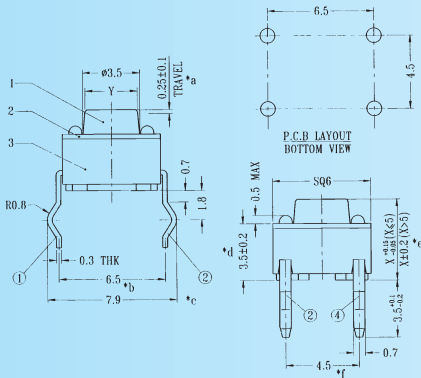


CIRCUIT DIAGRAM



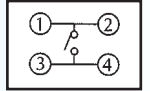
TC-0101 ~ TC-0111 series

MODEL	X, Stem length, mm	Y, Knob Diameter	CODE	Operating Force, gf
TC-0101	4.2	3.5	T	100±30
TC-0102	4.3	3.5	V	130±30
TC-0103	5	3.4	X	160±50
TC-0104	7	3.3	W	170±50
TC-0105	7.3	3.3	Y	190±50
TC-0106	8	3.3	Z	250±100
TC-0107	8.5	3.1	N	350±100
TC-0108	9.5	3.3		
TC-0109	12.5	3.0		
TC-A109	13.0	3.3		
TC-0110	13.5	3.2		
TC-0111	17	2.7		



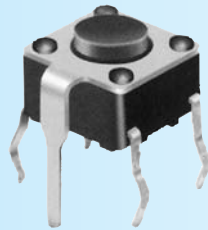
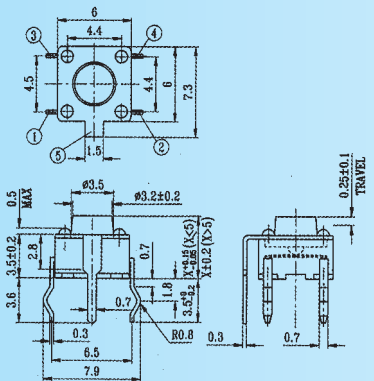
1. RATING: DC 12V 50mA
2. TRAVEL: 0.25 ± 0.1 mm
3. CONTACT RESISTANCE 100mΩ max.

CIRCUIT DIAGRAM



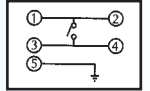
TC-0112 ~ TC-0119+ series

MODEL	Stem length, mm	CODE	Operating Force, gf
TC-0112	4.3	T	100±30
TC-0113	5	V	130±30
TC-0114	7	X	160±50
TC-0115	7.3	W	170±50
TC-0116	8	Y	190±50
TC-0117	8.5	Z	250±100
TC-0118	9.5		
TC-0119	12.5		



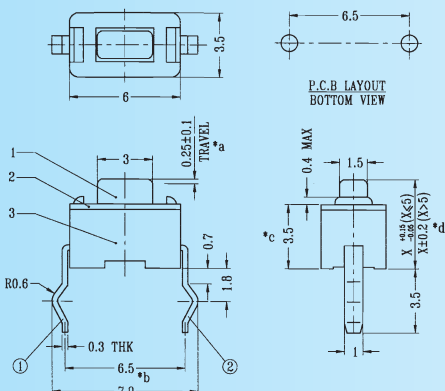
1. RATING: DC 12V 50mA
2. TRAVEL: 0.25 ± 0.1 mm
3. CONTACT RESISTANCE 100mΩ MAX

CIRCUIT DIAGRAM



TC-0120 ~ TC-0122 series

MODEL	Stem length, mm	CODE	Operating Force, gf
TC-0120	4.3	Y	180±50
TC-0121	5	Z	250±100
TC-0122	8		



1. RATING: DC 12V 50mA
2. TRAVEL: 0.25 ± 0.1 mm
3. CONTACT RESISTANCE 100mΩ MAX

CIRCUIT DIAGRAM

