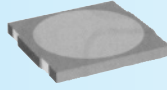
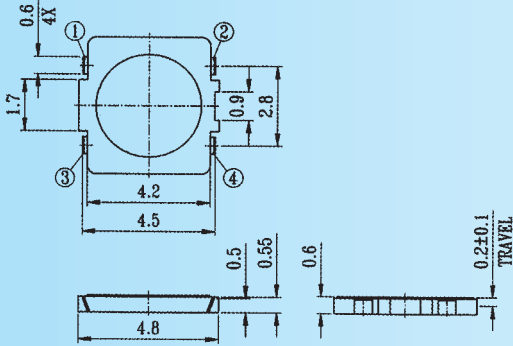
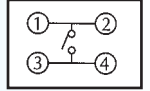


**TD-18XA**  
anti dust

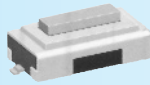
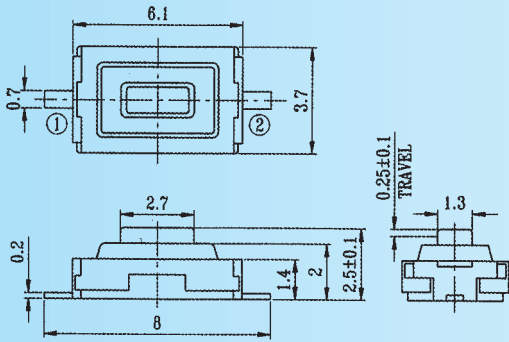


1. RATING: DC 12V 50mA
2. TRAVEL: 0.2 ± 0.1 mm
3. CONTACT RESISTANCE 100mΩ MAX
4. TAPE & REEL OPTION: NO
5. OPERATING FORCE: 160gf ± 50gf

**CIRCUIT DIAGRAM**



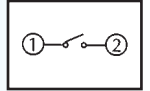
**TD-19XA series**  
anti dust



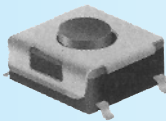
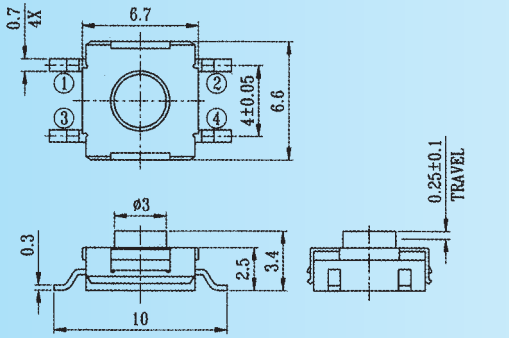
| CODE | Operating Force, gf |
|------|---------------------|
| X    | 180±50              |
| Z    | 250±100             |

1. RATING: DC 12V 50mA
2. TRAVEL: 0.25 ± 0.1 mm
3. CONTACT RESISTANCE 100mΩ MAX
4. TAPE & REEL OPTION: YES

**CIRCUIT DIAGRAM**



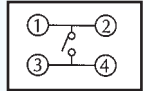
**TD-20XA series**  
seal type



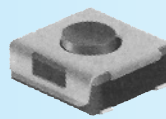
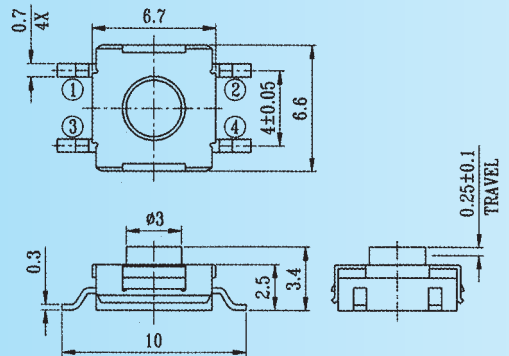
| MODEL   | Stem Length, mm | TAPE & REEL OPTION |
|---------|-----------------|--------------------|
| TD-20XA | 2.6             | Yes                |
| TD-20XB | 3.4             | Yes                |

1. RATING: DC 12V 50mA
2. TRAVEL: 0.25 ± 0.1 mm
3. CONTACT RESISTANCE 100mΩ MAX
4. OPERATING FORCE: 160gf ± 50gf

**CIRCUIT DIAGRAM**



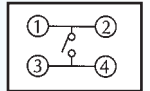
**TD-20UA series**  
seal type



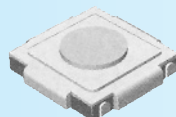
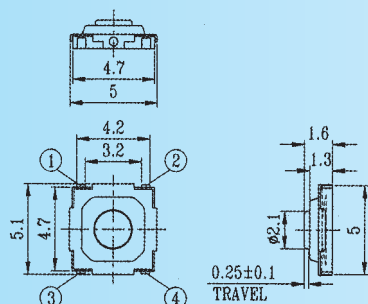
| MODEL   | Stem Length, mm | TAPE & REEL OPTION |
|---------|-----------------|--------------------|
| TD-20UA | 2.6             | Yes                |
| TD-20UB | 3.4             | Yes                |

1. RATING: DC 12V 50mA
2. TRAVEL: 0.25 ± 0.1 mm
3. CONTACT RESISTANCE 100mΩ MAX
4. OPERATING FORCE: 160gf ± 50gf

**CIRCUIT DIAGRAM**



**TD-23MU**  
anti dust  
metal stem version



1. RATING: DC 12V 50mA
2. TRAVEL: 0.25 ± 0.05 mm
3. CONTACT RESISTANCE 100mΩ MAX
4. OPERATING FORCE: 160gf ± 50gf

**CIRCUIT DIAGRAM**

