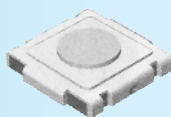
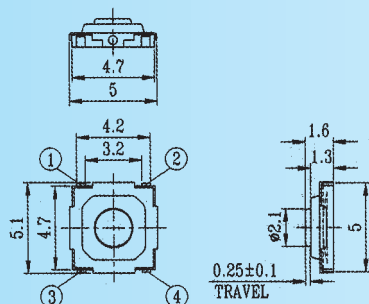
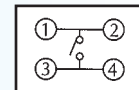


TD-23XU
anti dust
plastic stem

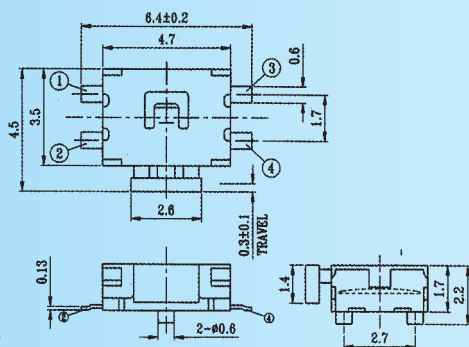


1. RATING: DC 12V 50mA
2. TRAVEL: 0.25 ± 0.1 mm
3. CONTACT RESISTANCE 100mΩ MAX
4. OPERATING FORE: 160gf ± 50gf
5. TAPE & REEL OPTION: YES

CIRCUIT DIAGRAM



TD-26EA series

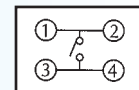


MODEL	GUIDE PIN	TAPE & REEL OPTION
TD-26EA	Yes	Yes
TD-26XA	No	Yes

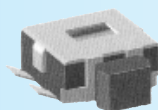
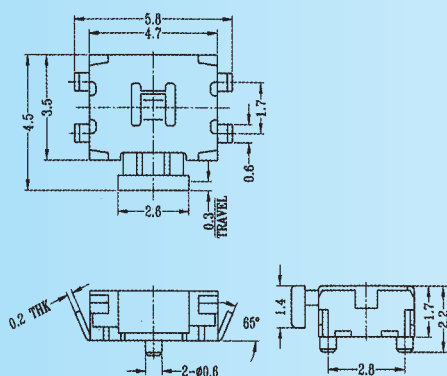
CODE	Operating Force, gf
Y	180±50
Z	250±100

1. RATING: DC 12V 50mA
2. TRAVEL: 0.25 ± 0.1 mm
3. CONTACT RESISTANCE 100mΩ MAX

CIRCUIT DIAGRAM



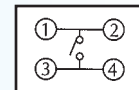
TD-26XU
TD-26EU



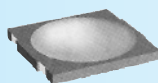
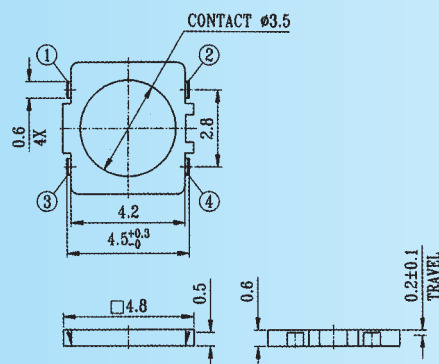
MODEL	GUIDE PIN	TAPE & REEL OPTION
TD-26EU	Yes	Yes
TD-26XU	No	Yes

1. RATING: DC 12V 50mA
2. TRAVEL: 0.3 ± 0.1 mm
3. CONTACT RESISTANCE 100mΩ MAX
4. OPERATING FORCE: 250gf ± 70gf

CIRCUIT DIAGRAM

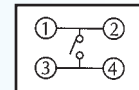


TD-28MU

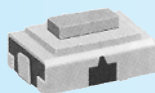
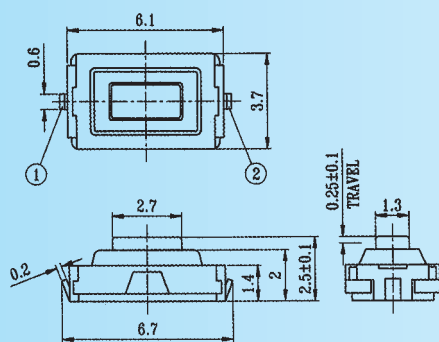


1. RATING: DC 12V 50mA
2. TRAVEL: 0.3 ± 0.1 mm
3. CONTACT RESISTANCE 100mΩ MAX
4. OPERATING FORCE: 160gf ± 50gf
5. TAPE & REEL OPTION: YES

CIRCUIT DIAGRAM



TD-29XU



1. RATING: DC 12V 50mA
2. TRAVEL: 0.25 ± 0.1 mm
3. CONTACT RESISTANCE 100mΩ MAX
4. OPERATING FORE: 190gf ± 50gf
5. TAPE & REEL OPTION: YES

CIRCUIT DIAGRAM

