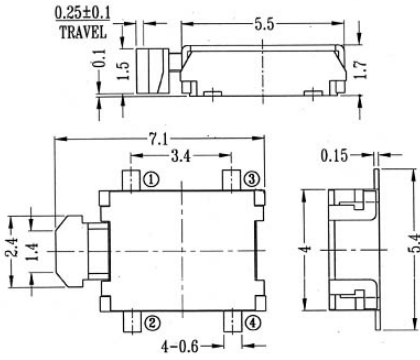
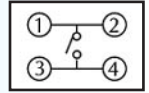


TD-36XA

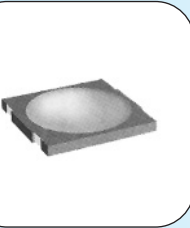
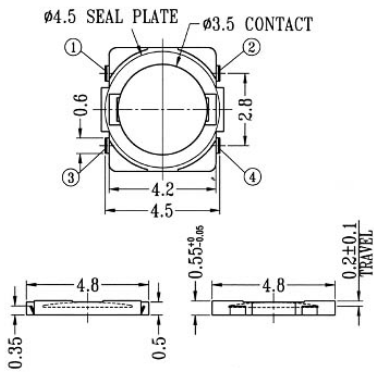


1. RATING: DC 12V 50mA

CIRCUIT DIAGRAM

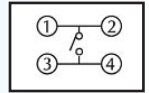


TD-38MU

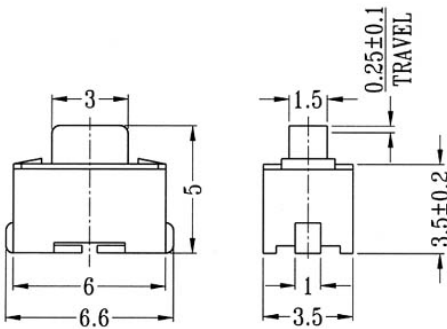


1. RATING: DC 12V 50mA

CIRCUIT DIAGRAM

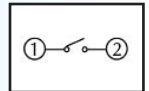


TD-42UA

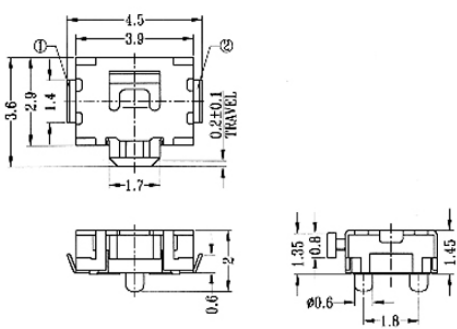


1. RATING: DC 12V 50mA

CIRCUIT DIAGRAM

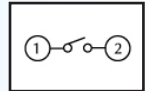


TD-46EA

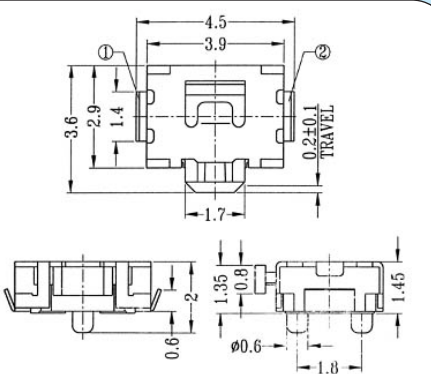


- 1. RATING: DC 12V 50mA
- 2. TRAVEL: 0.2 ± 0.1 mm
- 3. CONTACT RESISTANCE 100mΩ MAX
- 4. OPTION: TAPE&REEL AVAILABLE

CIRCUIT DIAGRAM



TD-46EU



1. RATING: DC 12V 50mA

CIRCUIT DIAGRAM

