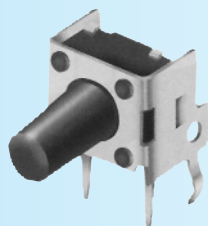
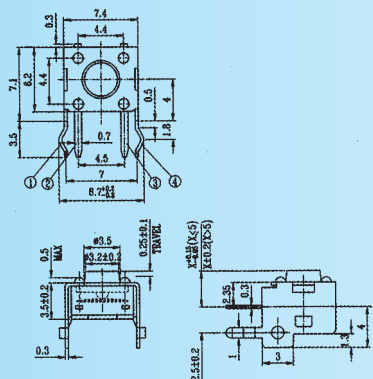


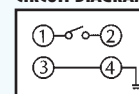
TC-0202 series



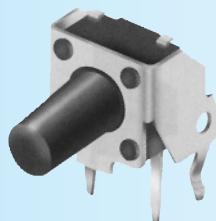
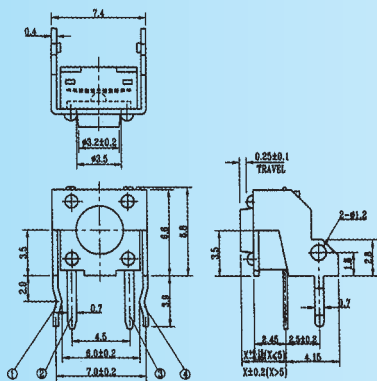
MODEL	Stem length, mm	CODE	Operating force, gf
TC-0202	3.15	T	100±30
TC-0203	3.85	V	130±30
TC-0204	5.85	X	160±50
TC-0205	8.35	W	170±50
TC-0206	6.85	Y	190±50
TC-0207	11.35	Z	250±100
TC-0208	6.15		
TC-0209	11.85		
TC-0210	12.35		

1. RATING: DC 12V 50mA
2. TRAVEL: 0.25 ± 0.1 mm
3. CONTACT RESISTANCE 100mΩ MAX

CIRCUIT DIAGRAM



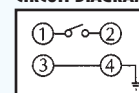
TC-0240 series



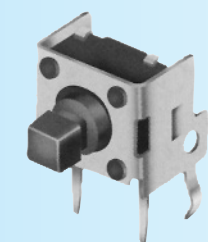
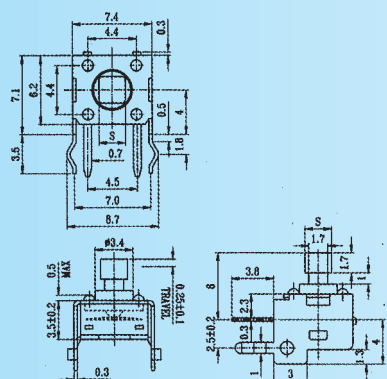
MODEL	Stem length, mm	CODE	Operating force, gf
TC-0240	3.15	T	100±30
TC-0241	3.85	V	130±30
TC-0242	5.85	X	160±50
TC-0243	8.35	W	170±50
TC-0244	6.85	Y	190±50
TC-0245	11.35	Z	250±100
TC-0246	6.15		

1. RATING: DC 12V 50mA
2. TRAVEL: 0.25 ± 0.1 mm
3. CONTACT RESISTANCE 100mΩ MAX

CIRCUIT DIAGRAM



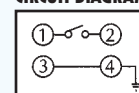
TC-024V series TC-028V series



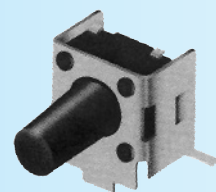
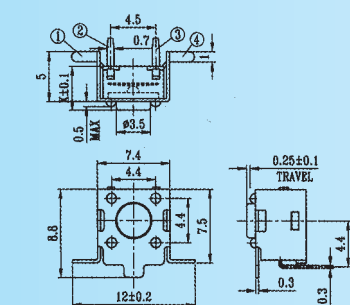
MODEL	Stem length, mm	CODE	Operating force, gf
TC-024V	2.4 x 2.4	T	100±30
TC-028V	2.8 x 2.8	V	130±30
		X	160±50
		W	170±50
		Y	190±50
		Z	250±100

1. RATING: DC 12V 50mA
2. TRAVEL: 0.25 ± 0.1 mm
3. CONTACT RESISTANCE 100mΩ MAX

CIRCUIT DIAGRAM



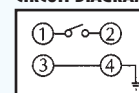
TC-0250 series



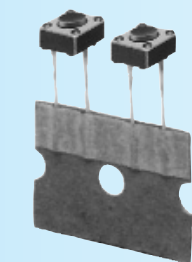
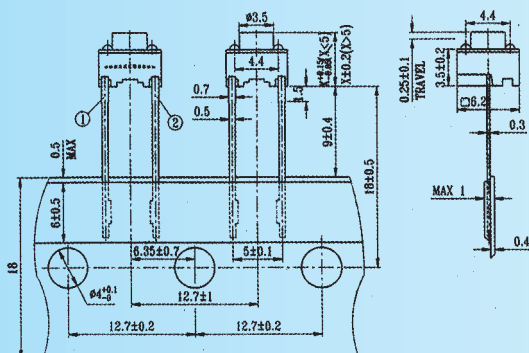
MODEL	Stem length, mm	CODE	Operating force, gf
TC-0250	4.3	T	100±30
TC-0251	5	V	130±30
TC-0252	7	X	160±50
TC-0253	9.5	W	170±50
TC-0254	8	Y	190±50
TC-0255	12.5	Z	250±100
TC-0256	7.3		

1. RATING: DC 12V 50mA
2. TRAVEL: 0.25 ± 0.1 mm
3. CONTACT RESISTANCE 100mΩ MAX

CIRCUIT DIAGRAM



TC-0302 series



MODEL	Stem length, mm	CODE	Operating force, gf
TC-0302	4.3	T	100±30
TC-0303	5	V	130±30
TC-0304	7	X	160±50
TC-0305	7.3	W	170±50
TC-0306	8	Y	190±50
TC-0308	9.5	Z	250±100
TC-0309	12.5		

1. RATING: DC 12V 50mA
2. TRAVEL: 0.25 ± 0.1 mm
3. CONTACT RESISTANCE 100mΩ MAX

CIRCUIT DIAGRAM

