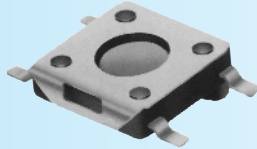
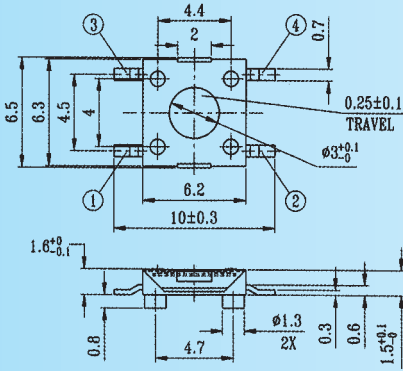


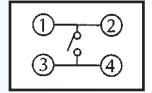
## TD-01EA series



MODEL	Stem Length	Tape & Reel Option
TD-01EA	8 mm	No
TD-01EB	10 mm	Yes

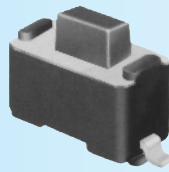
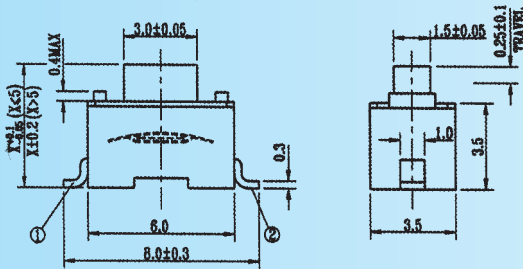
CODE	Operating Force, gf
T	100±30
V	130±30
X	160±50
W	170±50
Y	190±50
Z	250±100

### CIRCUIT DIAGRAM



1. RATING: DC 12V 50mA
2. TRAVEL: 0.25 ± 0.1 mm
3. CONTACT RESISTANCE 100mΩ MAX

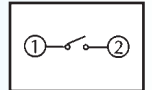
## TD-02XB series



MODEL	Stem Length	Guide Pin	Tape & Reel Option
TD-02XB	4.3 mm	No	Yes
TD-02XA	5 mm	No	Yes
TD-02XC	8 mm	No	No
TD-02EB	4.3 mm	Yes	Yes
TD-02EA	5 mm	Yes	Yes
TD-02EC	8 mm	Yes	No

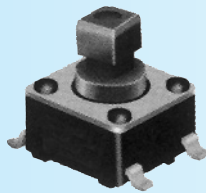
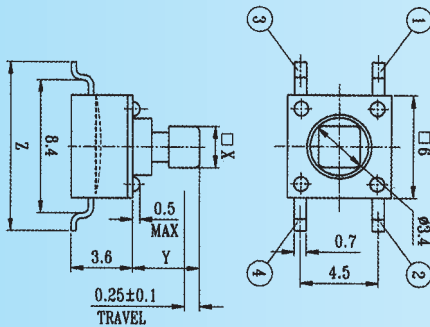
CODE	Operating Force, gf
Y	180±50
Z	250±100

### CIRCUIT DIAGRAM



1. RATING: DC 12V 50mA
2. TRAVEL: 0.25 ± 0.1 mm
3. CONTACT RESISTANCE 100mΩ MAX

## TD-0341 series

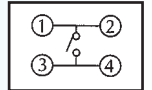


MODEL	Stem Dimension	Stem Length	Terminal Length x mm
TD-0341	2.4 x 2.4	3.6	10
TD-0342	2.4 x 2.4	3.9	10
TD-0381	2.4 x 2.4	3.6	10
TD-0641	2.8 x 2.8	3.6	8
TD-0642	2.4 x 2.4	3.9	8
TD-0681	2.8 x 2.8	3.6	8

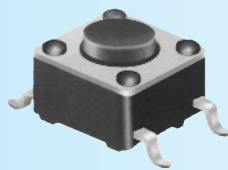
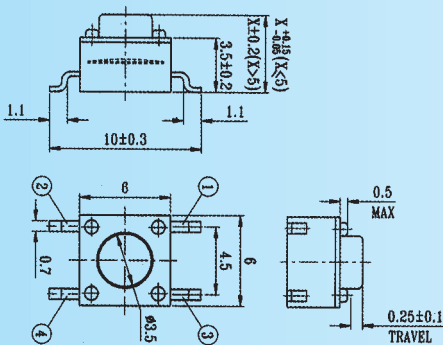
CODE	Operating Force, gf
T	100±30
V	130±30
X	160±50
W	170±50
Y	190±50
Z	250±100

1. RATING: DC 12V 50mA
2. TRAVEL: 0.25 ± 0.1 mm
3. CONTACT RESISTANCE 100mΩ MAX

### CIRCUIT DIAGRAM



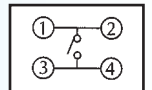
## TD-03XG series



MODEL	Stem Length	Tape & Reel Option
TD-03XG	4.3 mm	Yes
TD-03XA	5 mm	Yes
TD-03XB	7 mm	Yes
TD-03XC	7.3 mm	No
TD-03XD	8 mm	No
TD-03XE	9.5 mm	No
TD-03XF	12.5 mm	No

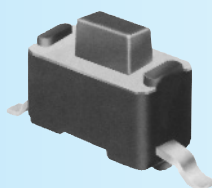
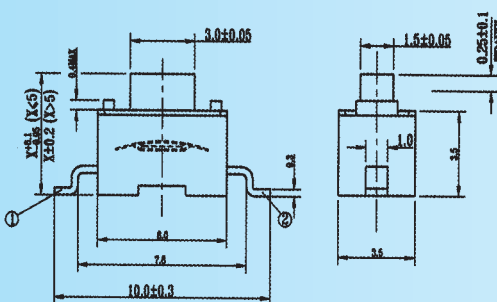
CODE	Operating Force, gf
T	100±30
V	130±30
X	160±50
W	170±50
Y	190±50
Z	250±100

### CIRCUIT DIAGRAM



1. RATING: DC 12V 50mA
2. TRAVEL: 0.25 ± 0.1 mm
3. CONTACT RESISTANCE 100mΩ MAX

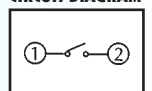
## TD-05XB series



MODEL	Stem Length	Guide Pin	Tape & Reel Option
TD-05XB	4.3 mm	No	Yes
TD-05XA	5 mm	No	Yes
TD-05XC	8 mm	No	No
TD-05EB	4.3 mm	Yes	Yes
TD-05EA	5 mm	Yes	Yes
TD-05EC	8 mm	Yes	No

CODE	Operating Force, gf
Y	180±50
Z	250±100

### CIRCUIT DIAGRAM



1. RATING: DC 12V 50mA
2. TRAVEL: 0.25 ± 0.1 mm
3. CONTACT RESISTANCE 100mΩ MAX