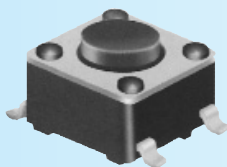
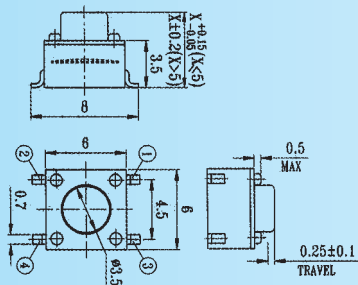


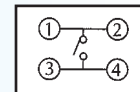
TD-06XG series



MODEL	Stem Length	Tape & Reel Option
TD-06XG	4.3 mm	Yes
TD-06XA	5 mm	Yes
TD-06XB	7 mm	No
TD-06XC	7.3 mm	No
TD-06XD	8 mm	No
TD-06XE	9.5 mm	No
TD-06XF	12.5 mm	No

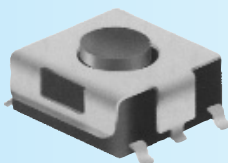
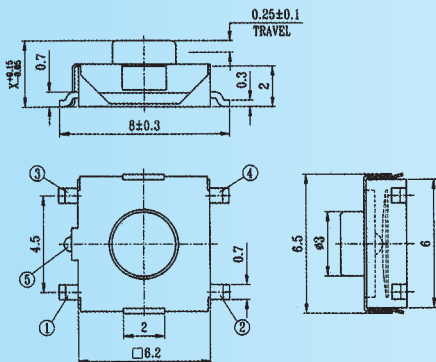
CODE	Operating Force, gf
T	100±30
V	130±30
X	160±50
W	170±50
Y	190±50
Z	250±100

CIRCUIT DIAGRAM



1. RATING: DC 12V 50mA
2. TRAVEL: 0.25 ± 0.1 mm
3. CONTACT RESISTANCE 100mΩ MAX

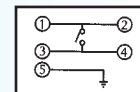
TD-07XB series



MODEL	Stem Length	Guide Pin	Tape & Reel Option
TD-07XB	2.5 mm	Yes	Yes
TD-07XA	3.1 mm	Yes	Yes
TD-07XC	5.4 mm	Yes	No
TD-07XD	8 mm	Yes	No
TD-08XB	2.5 mm	No	Yes
TD-08XA	3.1 mm	No	Yes
TD-08XC	5.4 mm	No	No
TD-08XD	8 mm	No	No

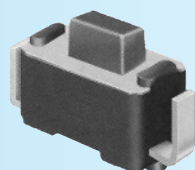
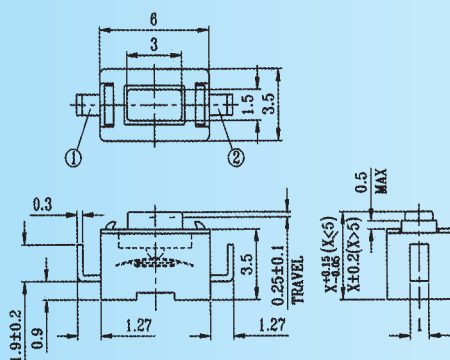
CODE	Operating Force, gf
T	100±30
V	130±30
X	160±50
W	170±50
Y	190±50
Z	250±100

CIRCUIT DIAGRAM



1. RATING: DC 12V 50mA
2. TRAVEL: 0.25 ± 0.1 mm
3. CONTACT RESISTANCE 100mΩ MAX

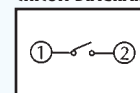
TD-09XB series



MODEL	Stem Length	Guide Pin
TD-09XB	4.3 mm	No
TD-09XA	5 mm	No
TD-09XC	8 mm	No
TD-09EB	4.3 mm	Yes
TD-09EA	5 mm	Yes
TD-09EC	8 mm	Yes

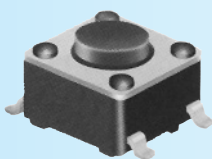
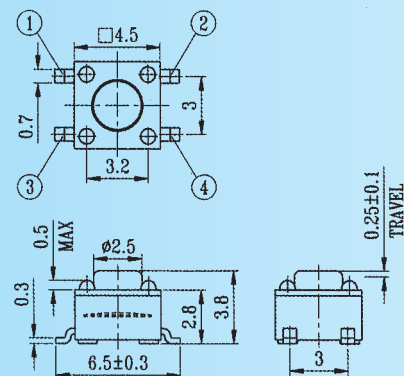
CODE	Operating Force, gf
Y	180±50
Z	250±100

CIRCUIT DIAGRAM



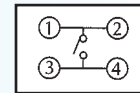
1. RATING: DC 12V 50mA
2. TRAVEL: 0.25 ± 0.1 mm
3. CONTACT RESISTANCE 100mΩ MAX

TD-10XA

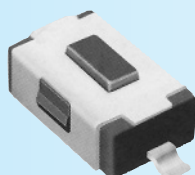
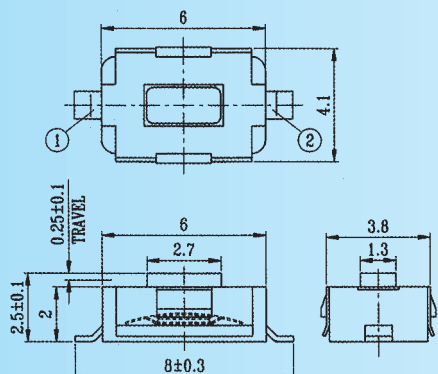


1. RATING: DC 12V 50mA
2. TRAVEL: 0.25 ± 0.1 mm
3. CONTACT RESISTANCE 100mΩ MAX
4. STEM LENGTH: 3.8 mm
5. TAPE & REEL OPTION: YES
6. OPERATING FORCE 250±50

CIRCUIT DIAGRAM



TD-11XA series



CODE	Operating Force, gf
Y	180±50
Z	250±100

1. RATING: DC 12V 50mA
2. TRAVEL: 0.25 ± 0.1 mm
3. CONTACT RESISTANCE 100mΩ MAX
4. OPTIONAL TAPE & REEL PACKING AVAILABLE

CIRCUIT DIAGRAM

