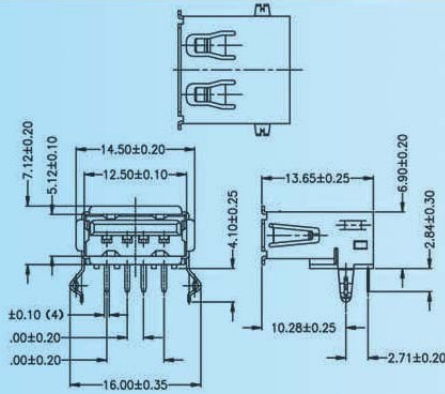


**USB-A1D162F-1L9N-W**

Current Rating: 1.5A at 250V AC



**USB-A1D42F-0B4N**

Current Rating: 1.5A at 250V AC

Voltage Rating: 30V

Contact Resistance: 30mΩ max.

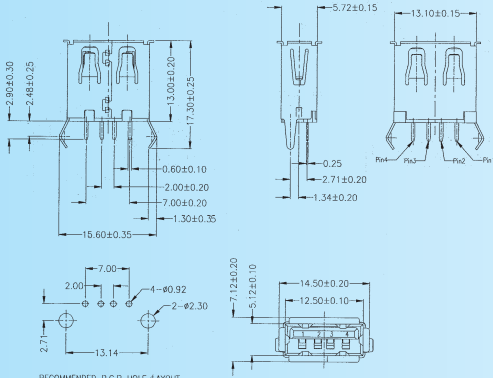
Insulation Resistance: 1000 MΩ min.

Dielectric Withstanding Voltage: 500V AC

Temperature range: -20°C to +60°C

Insertion Force: 35 Newtons max.

Extraction Force: 10 Newtons min.



RECOMMENDED P.C.B HOLE LAYOUT TOP VIEW(TOLERANCE:±0.10)

**USB-A1D42F-0N4N**

Current Rating: 1.5A at 250V AC

Voltage Rating: 30V

Contact Resistance: 30mΩ max.

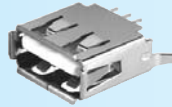
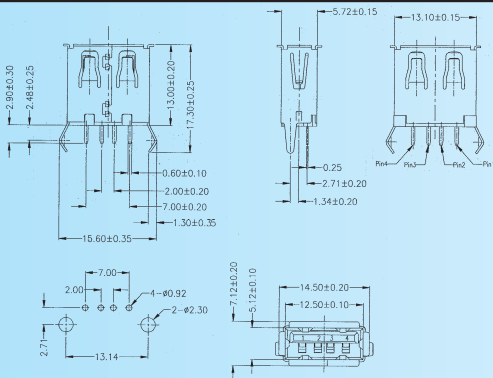
Insulation Resistance: 1000 MΩ min.

Dielectric Withstanding Voltage: 500V AC

Temperature range: -20°C to +60°C

Insertion Force: 35 Newtons max.

Extraction Force: 10 Newtons min.



RECOMMENDED P.C.B HOLE LAYOUT TOP VIEW(TOLERANCE:±0.10)

**USB-A1D42F-0W4N**

Current Rating: 1.5A at 250V AC

Voltage Rating: 30V

Contact Resistance: 30mΩ max.

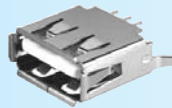
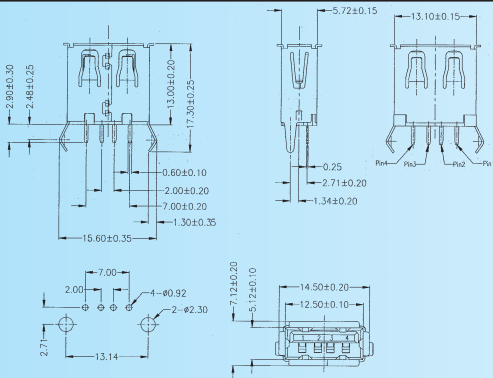
Insulation Resistance: 1000 MΩ min.

Dielectric Withstanding Voltage: 500V AC

Temperature range: -20°C to +60°C

Insertion Force: 35 Newtons max.

Extraction Force: 10 Newtons min.



RECOMMENDED P.C.B HOLE LAYOUT TOP VIEW(TOLERANCE:±0.10)

**USB-A1M07F-0B4N**

Current Rating: 1.5A at 250V AC

Voltage Rating: 30V

Contact Resistance: 30mΩ max.

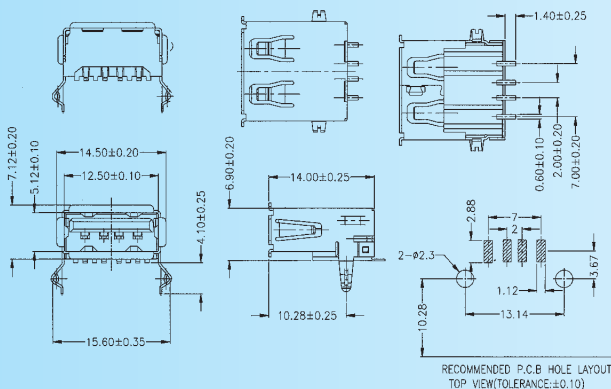
Insulation Resistance: 1000 MΩ min.

Dielectric Withstanding Voltage: 500V AC

Temperature range: -20°C to +60°C

Insertion Force: 35 Newtons max.

Extraction Force: 10 Newtons min.



RECOMMENDED P.C.B HOLE LAYOUT TOP VIEW(TOLERANCE:±0.10)