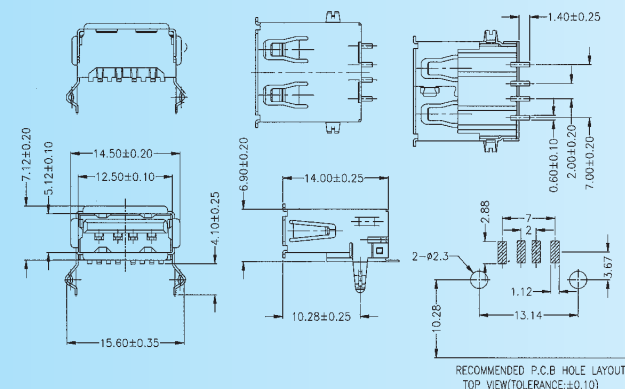


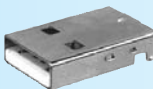
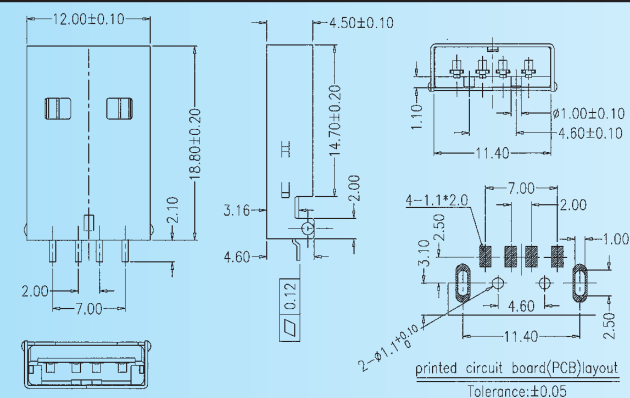
USB-A1M07F-0N4N

Current Rating: 1.5A at 250V AC
Voltage Rating: 30V
Contact Resistance: 30mΩ max.
Insulation Resistance: 1000 MΩ min.
Dielectric Withstanding Voltage: 500V AC
Temperature range: -20°C to +60°C
Insertion Force: 35 Newtons max.
Extraction Force: 10 Newtons min.



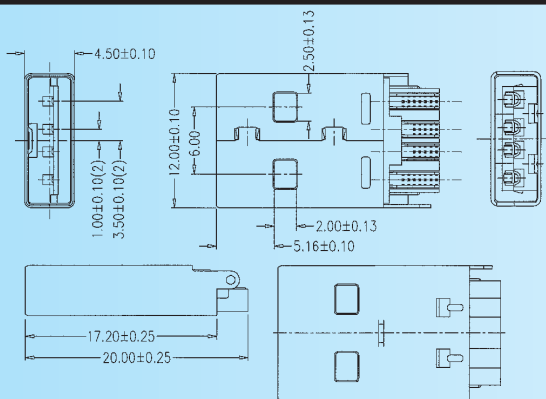
USB-A1M07F-0W4N

Current Rating: 1.5A at 250V AC
Voltage Rating: 30V
Contact Resistance: 30mΩ max.
Insulation Resistance: 1000 MΩ min.
Dielectric Withstanding Voltage: 500V AC
Temperature range: -20°C to +60°C
Insertion Force: 35 Newtons max.
Extraction Force: 10 Newtons min.



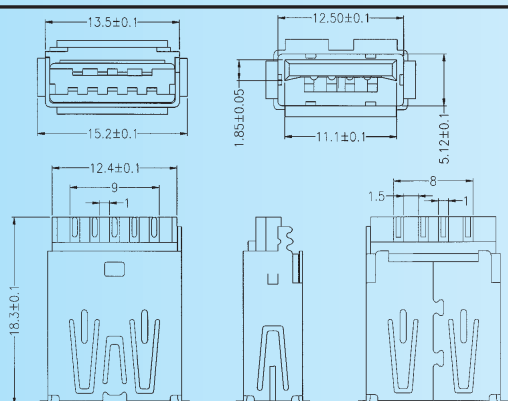
USB-A1M67M-0N4N-W

Current Rating: 1.5A
Voltage Rating: 30V AC
Contact Resistance: 30mΩ max.
Insulation Resistance: 1000 MΩ min.
Dielectric Withstanding Voltage: 500V AC
Temperature range: -20°C to +60°C



USB-A1S10M-0N4N

Current Rating: 1.5A
Voltage Rating: 30V AC
Contact Resistance: 30mΩ max.
Insulation Resistance: 1000 MΩ min.
Dielectric Withstanding Voltage: 500V AC
Temperature range: -20°C to +60°C



USB-A1S81F-4L9N-W

Voltage Current Rating: 1.5A 30V AC
Contact Resistance: 30mΩ max.
Insulation Resistance: 1000 MΩ min.
Dielectric Withstanding Voltage: 500V AC
Temperature range: -55°C to +85°C
Mechanical Characteristics:
- Mating Force: 3.57 kg max.
- Unmating Force: 1.02 kg min.