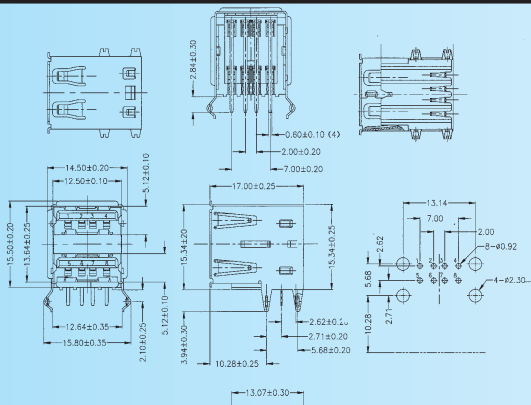


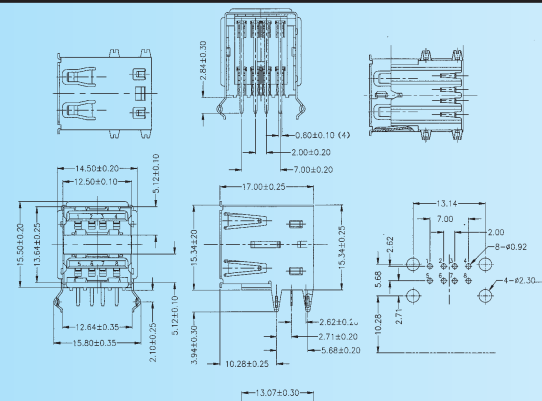
USB-A2D16F-0B8N

Current Rating: 1.5A at 250V AC
 Voltage Rating: 30V
 Contact Resistance: 30mΩ max.
 Insulation Resistance: 1000 MΩ min.
 Dielectric Withstanding Voltage: 500V AC
 Temperature range: -20°C to +60°C
 Insertion Force: 35 Newtons max.
 Extraction Force: 10 Newtons min.



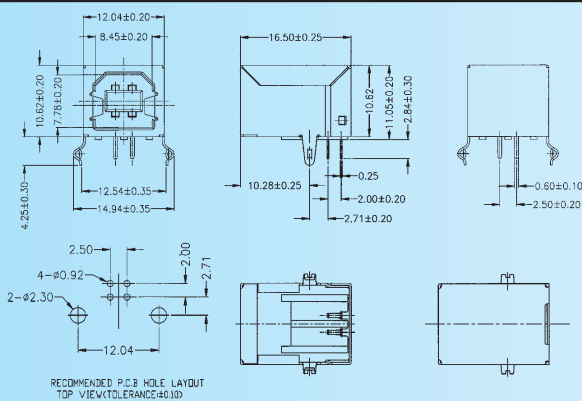
USB-A2D16F-0W8N

Current Rating: 1.5A at 250V AC
 Voltage Rating: 30V
 Contact Resistance: 30mΩ max.
 Insulation Resistance: 1000 MΩ min.
 Dielectric Withstanding Voltage: 500V AC
 Temperature range: -20°C to +60°C
 Insertion Force: 35 Newtons max.
 Extraction Force: 10 Newtons min.



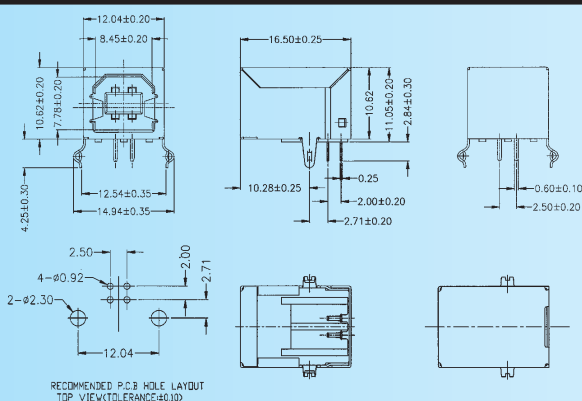
USB-B1D08F-0B4N

Current Rating: 1.5A at 250V AC
 Voltage Rating: 30V
 Contact Resistance: 30mΩ max.
 Insulation Resistance: 1000 MΩ min.
 Dielectric Withstanding Voltage: 500V AC
 Temperature range: -20°C to +60°C
 Insertion Force: 35 Newtons max.
 Extraction Force: 10 Newtons min.



USB-B1D08F-0N4N

Current Rating: 1.5A at 250V AC
 Voltage Rating: 30V
 Contact Resistance: 30mΩ max.
 Insulation Resistance: 1000 MΩ min.
 Dielectric Withstanding Voltage: 500V AC
 Temperature range: -20°C to +60°C
 Insertion Force: 35 Newtons max.
 Extraction Force: 10 Newtons min.



USB-B1D08F-0W4N

Current Rating: 1.5A at 250V AC
 Voltage Rating: 30V
 Contact Resistance: 30mΩ max.
 Insulation Resistance: 1000 MΩ min.
 Dielectric Withstanding Voltage: 500V AC
 Temperature range: -20°C to +60°C
 Insertion Force: 35 Newtons max.
 Extraction Force: 10 Newtons min.

