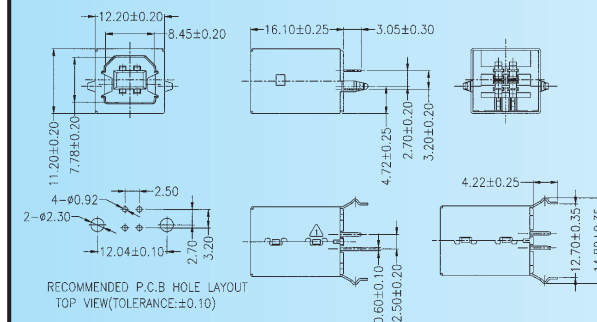


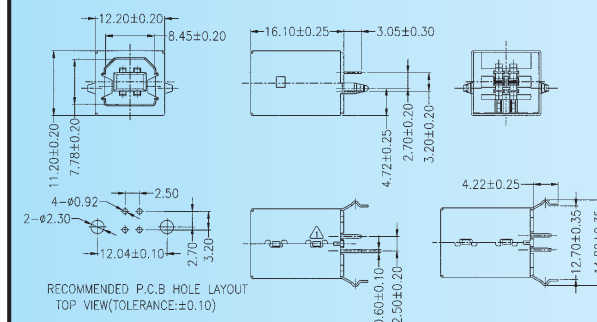
## USB-B1D124F-0B4N

Current Rating: 1.5A  
 Voltage Rating: 30V AC  
 Contact Resistance: 30mΩ max.  
 Insulation Resistance: 1000 MΩ min.  
 Dielectric Withstanding Voltage: 500V AC  
 Temperature range: -20°C to +60°C  
 Insertion Force: 35 Newtons max.  
 Extraction Force: 10 Newtons min.



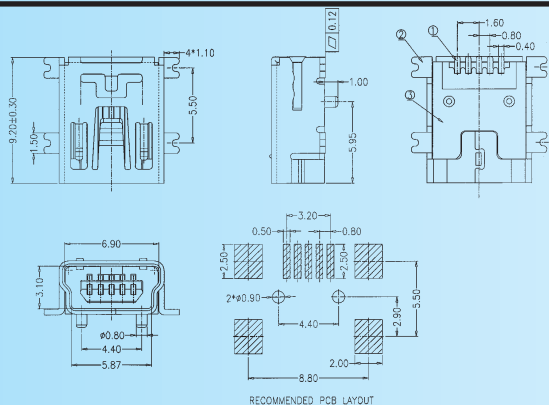
## USB-B1D124F-0N4N

Current Rating: 1.5A  
 Voltage Rating: 30V AC  
 Contact Resistance: 30mΩ max.  
 Insulation Resistance: 1000 MΩ min.  
 Dielectric Withstanding Voltage: 500V AC  
 Temperature range: -20°C to +60°C  
 Insertion Force: 35 Newtons max.  
 Extraction Force: 10 Newtons min.



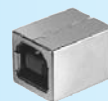
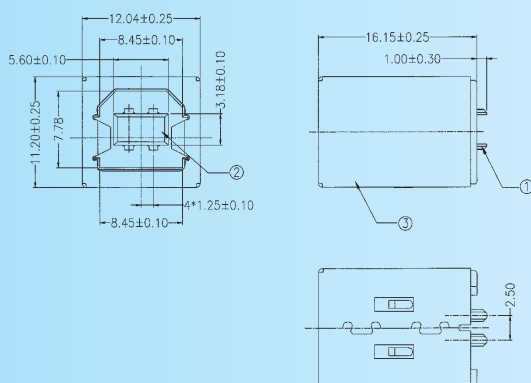
## USB-B1D124F-0W4N

Current Rating: 1.5A  
 Voltage Rating: 30V AC  
 Contact Resistance: 30mΩ max.  
 Insulation Resistance: 1000 MΩ min.  
 Dielectric Withstanding Voltage: 500V AC  
 Temperature range: -20°C to +60°C  
 Insertion Force: 35 Newtons max.  
 Extraction Force: 10 Newtons min.



## MIN-B1M16F-0B5N

Current Rating: 1.0A  
 Voltage Rating: 30V  
 Contact Resistance: 50mΩ max.  
 Insulation Resistance: 100 MΩ min.  
 Dielectric Withstanding Voltage: 100V AC  
 Temperature range: -20°C to +60°C



## USB-B1S01F-0B4N

Current Rating: 1.0A  
 Voltage Rating: 30V AC  
 Contact Resistance: 30mΩ max.  
 Insulation Resistance: 1000 MΩ min.  
 Dielectric Withstanding Voltage: 500V AC  
 Temperature range: -20°C to +60°C  
 Remark: 48 hr guarantee by -30°C storage temperature  
 Insertion Force: 35 Newtons max.  
 Extraction Force: 10 Newtons min.