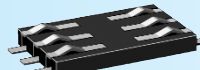
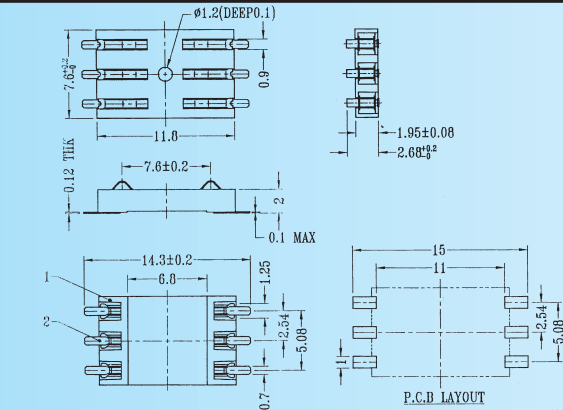


## USB-B1S17M-4L9N-W

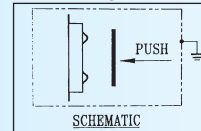
Current Rating: 1.8A for pin 1 & pin4;  
0.25A for other contacts.  
Voltage Rating: 30V AC  
Contact Resistance: 30mΩ max. for pin1 & pin4;  
50mΩ max. for other contacts.  
Insulation Resistance: 100 MΩ min.  
Dielectric Withstanding Voltage: 100V AC  
Temperature range: -20°C to +85°C  
Insertion Force: 35 Newtons max.  
Extraction Force: 10 Newtons min.



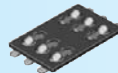
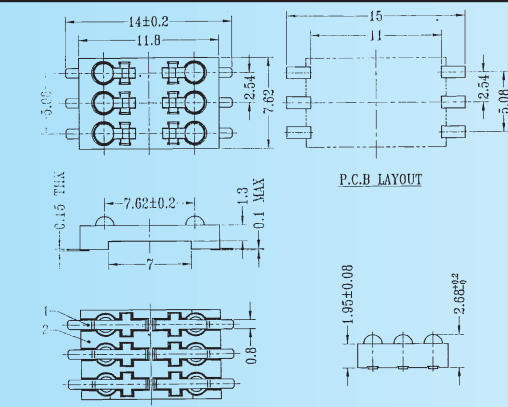
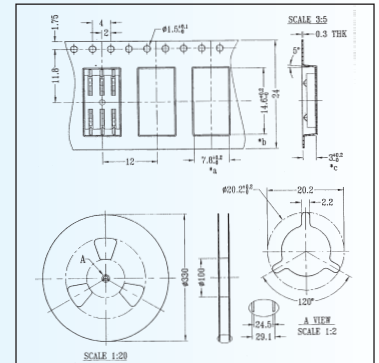
## SCR-001

Current Rating:  
0.5A at 30V DC

### Circuit Diagram



### Tape&Reel



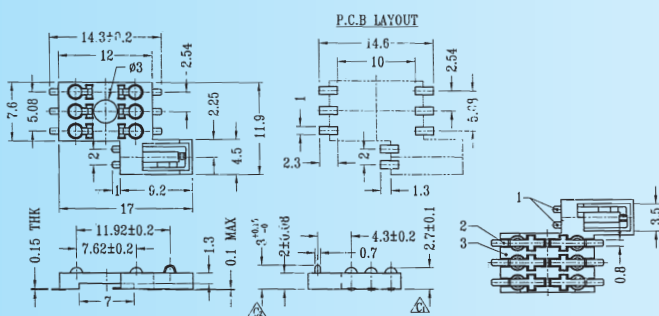
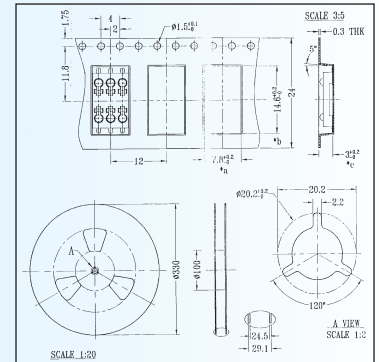
## SCR-002

Current Rating:  
0.5A at 50V DC  
Voltage Rating: 30V AC  
Contact Resistance:  
30mΩ max.  
Insulation Resistance:  
100 MΩ min.  
Dielectric Withstanding  
Voltage: 500V AC  
Temperature range:  
-16°C to +60°C  
Operating force:  
450gf ±150

### Circuit Diagram



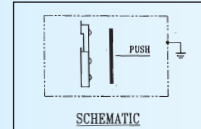
### Tape&Reel



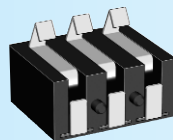
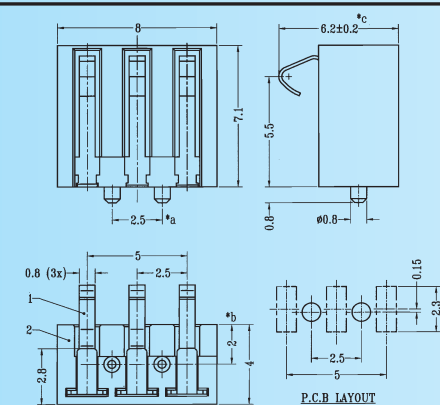
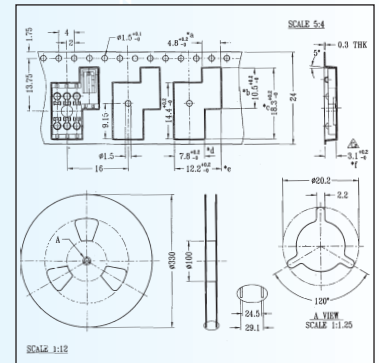
## SCR-003

Current Rating:  
1.5A at 250V AC

### Circuit Diagram



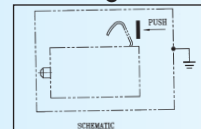
### Tape&Reel



## BN-3250

Current Rating:  
0.3A at 30V DC

### Circuit Diagram



### Tape&Reel

