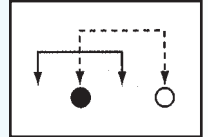
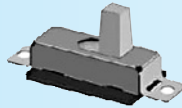
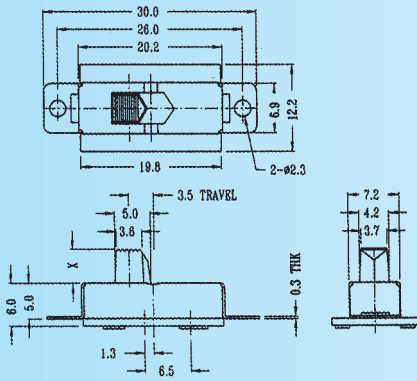


SS-11G01

Rating: 0.5A 12V DC
Function: 1P1T

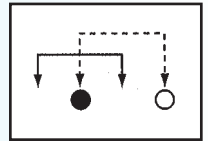
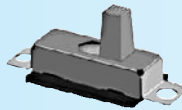
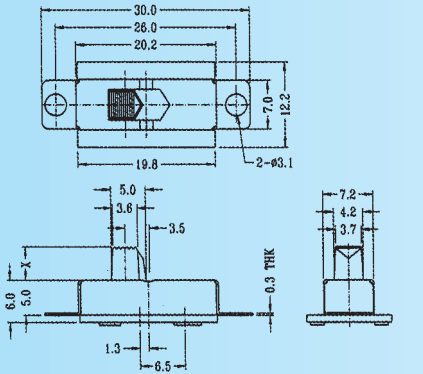


Optional Knob type

GX					

SS-11G02

Rating: 0.5A 12V DC
Function: 1P1T

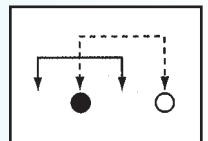
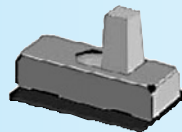
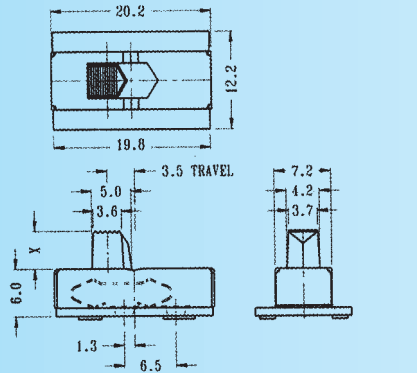


Optional Knob type

GX					

SS-11G04

Rating: 0.5A 12V DC
Function: 1P1T

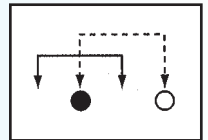
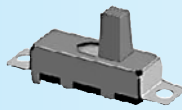
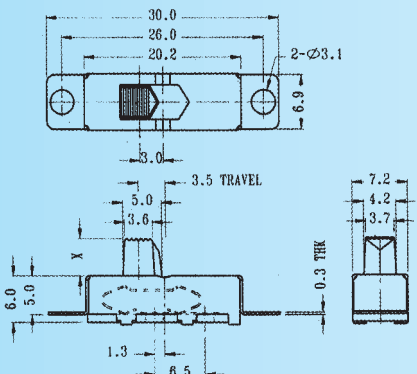


Optional Knob type

GX					

SS-11G05

Rating: 0.5A 12V DC
Function: 1P1T

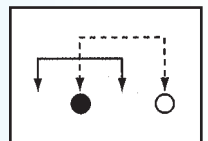
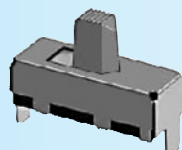
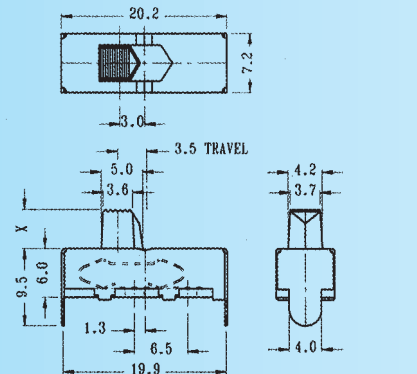


Optional Knob type

GX					

SS-11G06

Rating: 0.5A 12V DC
Function: 1P1T



Optional Knob type

GX					