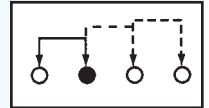


SS-13F24

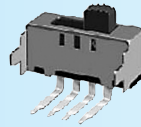
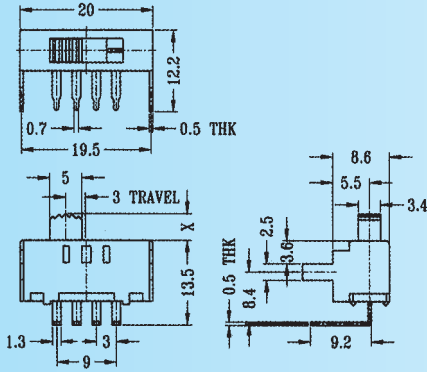
Rating: 0.3A 50V DC
Function: 1P3T



N NON-SHORTING

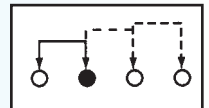
Optional Knob type

GE					



SS-13F33

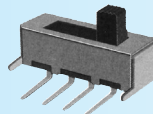
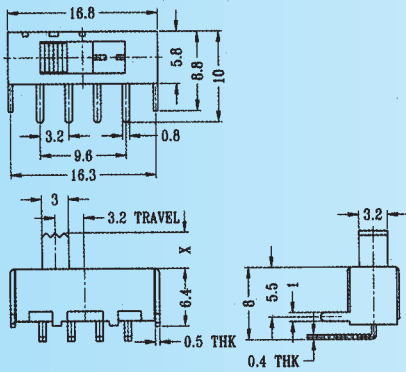
Rating: 0.3A 50V DC
Function: 1P3T



N NON-SHORTING

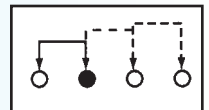
Optional Knob type

GD					



SS-13F34

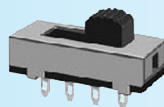
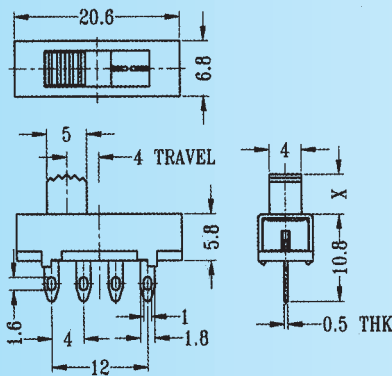
Rating: 0.3A 50V DC
Function: 1P3T



N NON-SHORTING

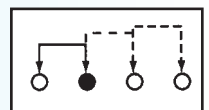
Optional Knob type

GE					



SS-13H01

Rating: 0.5A 50V DC
Function: 1P3T



N NON-SHORTING

Optional Knob type

GD					