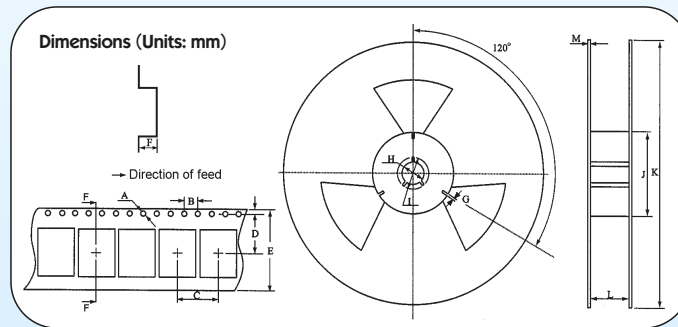


## GURTUNG SMD QUARZE TAPING SMD QUARTZ CRYSTALS



### GURT SPEZIFIKATIONEN / TAPE SPECIFICATION

Model	A	B	C	D	E	F	Qty/Reel
<b>Quarze / Quartz Crystals</b>							
SM-49	Ø1.50	4.0	12.0	11.5	24.0	4.35	1000
SM-49-4	Ø1.50	4.0	12.0	11.5	24.0	5.4	1000
MM-39SL	Ø1.50	4.0	12.0	11.5	24.0	3.9	1000
CPX-84	Ø1.50	4.0	8.0	7.5	16.0	2.0	1000
CPX-49S	Ø1.50	4.0	8.0	7.5	16.0	2.0	1000
CPX-49SM	Ø1.50	4.0	8.0	5.5	12.0	1.5	1000
CPX-49SP	Ø1.50	4.0	8.0	5.5	12.0	1.3	1000
CPX-53GA/GD CPX-53GB/GC	Ø1.50	4.0	8.0	5.5	12.0	1.5	1000
CPX-42	Ø1.50	4.0	4.0	3.5	12.0	1.0	3000
CPX-32 CPX-32F	Ø1.50	4.0	4.0	3.5	8.0	1.0	3000
CPX-22	Ø1.50	4.0	4.0	3.5	8.0	1.0	3000
CPX-21	Ø1.50	4.0	4.0	3.5	8.0	0.65	3000
CPX-11	Ø1.50	4.0	4.0	3.5	8.0	0.6	3000
<b>Uhrenquarze / Clock Crystals</b>							
MM-25S	Ø1.50	4.0	8.0	7.5	16.0	2.7	3000
MM-20SS	Ø1.50	4.0	8.0	7.5	16.0	2.7	3000
MM-11B	Ø1.50	4.0	8.0	7.5	36.0	2.7	3000
CMJ-206	Ø1.50	4.0	8.0	9.2	16.0	2.1	3000
CM-519	Ø1.50	4.0	4.0	5.5	12.0	1.1	3000
CM-415	Ø1.50	4.0	4.0	5.5	12.0	1.0	3000
CM-315	Ø1.50	4.0	4.0	5.5	12.0	1.0	3000
CM-2012H	Ø1.50	4.0	-	3.5	8.0	0.52	3000

### ROLLEN SPEZIFIKATIONEN / REEL SPECIFICATION

Model	G	H	I	J	K	L	M
<b>Quarze / Quartz Crystals</b>							
SM-49	2.5	Ø13.5	Ø21.6	Ø99.5	Ø330	25.5	2.3
SM-49-4	2.5	Ø13.5	Ø21.6	Ø99.5	Ø330	25.5	2.3
MM-39SL	2.0	Ø13.0	Ø21.0	Ø100.0	Ø330	25.5	2.0
CPX-84	2.5	Ø13.5	Ø21.6	Ø60.0	Ø178	17.5	1.6
CPX-49S	2.5	Ø13.5	Ø21.6	Ø60.0	Ø178	17.5	1.6
CPX-49SM	2.5	Ø13.5	Ø21.6	Ø60.0	Ø178	13.5	1.6
CPX-49SP	2.5	Ø13.5	Ø21.6	Ø60.0	Ø178	13.5	1.6
CPX-53GA/GD CPX-53GB/GC	2.5	Ø13.5	Ø21.6	Ø60.0	Ø178	13.5	1.6
CPX-42	2.5	Ø13.5	Ø21.6	Ø60.0	Ø178	9.5	1.6
CPX-32 CPX-32F	2.5	Ø13.5	Ø21.6	Ø60.0	Ø180	9.5	1.6
CPX-22	2.5	Ø13.5	Ø21.6	Ø60.0	Ø180	9.5	1.6
CPX-21	2.5	Ø13.5	Ø21.6	Ø60.0	Ø180	9.5	1.6
CPX-11	2.5	Ø13.5	Ø21.6	Ø60.0	Ø180	9.5	1.6
<b>Uhrenquarze / Clock Crystals</b>							
MM-25S	2.0	Ø13.0	Ø21.0	Ø100.0	Ø330	17.5	2.0
MM-20SS	2.0	Ø13.0	Ø21.0	Ø100.0	Ø330	17.5	2.0
MM-11B	2.0	Ø13.0	Ø21.0	Ø100.0	Ø330	17.5	2.0
CMJ-206	2.0	Ø13.0	Ø21.0	Ø60.0	Ø180	13.0	2.0
CM-519	2.0	Ø13.0	Ø21.0	Ø60.0	Ø180	13.0	2.0
CM-415	2.0	Ø13.0	Ø21.0	Ø100.0	Ø330	17.5	2.0
CM-315	2.0	Ø13.0	Ø21.0	Ø60.0	Ø180	13.0	2.0
CM-2012H	2.0	Ø13.0	Ø21.0	Ø60.0	Ø180	9.0	1.2

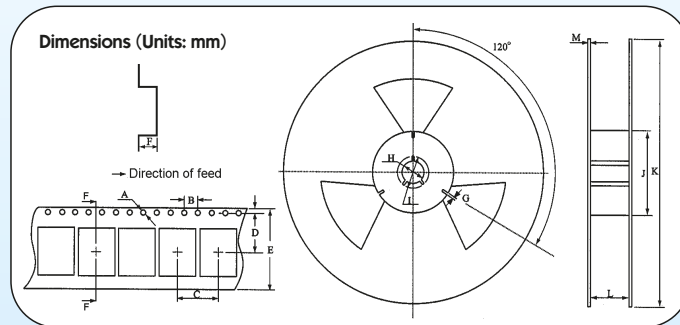
*Crystals...  
and more*

Now available



**digital electronic**  
**siegfried lehrer gmbh**  
Rudolf-Wanzl-Str. 3+5  
D-89340 Leipzig / Germany  
[www.digitallehrer.de](http://www.digitallehrer.de)  
[digital@digitallehrer.de](mailto:digital@digitallehrer.de)

## GURTUNG SMD OSZILLATOREN, RESONATOREN, FILTER TAPING SMD OSCILLATORS, RESONATORS, FILTERS



### GURT SPEZIFIKATIONEN / TAPE SPECIFICATION

### ROLLEN SPEZIFIKATIONEN / REEL SPECIFICATION

Model	A	B	C	D	E	F	Qty/Reel
<b>Oszillatoren SMD / Oscillators SMD</b>							
<b>SMD-1100S</b>	Ø1.50	4.0	12.0	11.5	24.0	5.4	1000
<b>SCO-735</b> IV-PECL/LVDS/HCSL	Ø1.55	4.0	8.0	6.25	14.25	1.5	1000
<b>SCO-700/-735SS</b> /-75HF/-75TSW	Ø1.50	4.0	8.0	7.5/-/-	16.0	2.0/1.8/1.8 /1.8	1000
<b>SCO-53/-53SS</b> /-53 HF/-53TSW	Ø1.50	4.0	8.0	5.5/-/-	12.0	15/14/14/14	1000
<b>SCO-53 1.0 V</b>	Ø1.50	4.0	8.0	4.25	10.25	1.1	1000
<b>SCO-32</b>	Ø1.50	4.0	4.0	3.5/-	8.0	1.3/1.4	3000
<b>SCO-22</b>	Ø1.50	4.0	4.0	3.5	8.0	0.9	3000
<b>SCO-20/SCO-16</b>	Ø1.50	4.0	4.0	3.5	8.0	0.65	3000
<b>SCO-75P</b>	Ø1.50	4.0	8.0	7.5	16.0	2.0	1000
<b>SCO-53P</b>	Ø1.50	4.0	8.0	5.5	12.0	1.5	1000
<b>SCO-32P</b>	Ø1.50	4.0	4.0	3.5	8.0	1.3	3000
<b>SCO-22P</b>	Ø1.50	4.0	4.0	3.5	8.0	0.9	3000
<b>VC-TXCO-801</b>	Ø1.55	4.0	12.0	11.5	24.0	2.3	2000
<b>VC-TXCO-802</b>	Ø1.55	4.0	12.0	11.5	24.0	2.3	2000
<b>VXO-S1</b> <b>VXO-S3</b>	Ø1.50	4.0	8.0	7.5	16.0	2.0	1000
<b>VCXO-705CC</b>	Ø1.50	4.0	8.0	1.75	16.0	1.8	1000
<b>VC-SQO-735 (7.0x5.0)</b> IV-PECL/LVDS/HCMOS	Ø1.50	4.0	8.0	6.25	14.25	1.5	1000
<b>VC-SQO-735 (5.0x3.2)</b> IV-PECL/LVDS/HCMOS	Ø1.50	4.0	8.0	4.25	10.25	1.1	1000
<b>VCO-705N</b> <b>VCO-705T</b>	Ø1.50	4.0	8.0	7.5	16.0	2.4	1000
<b>VXO-T1</b> <b>VXO-T3</b>	Ø1.50	4.0	8.0	5.5	12.0	1.5	1000
<b>VCXO-3225</b>	Ø1.50	4.0	8.0	2.25	6.25	1.15	3000
<b>TXO-503</b> <b>VTXO-503</b>	Ø1.55	4.0	8.0	5.5	12.0	1.5	1000
<b>TXO-320</b> <b>VTXO-320</b>	Ø1.55	4.0	4.0	3.5	8.0	1.4	1000
<b>Resonatoren / Resonators</b>							
<b>ZTACC, ZTTCC</b>	Ø1.50	4.0	8.0	7.5	16.0	2.1	4000
<b>ZTACS, ZTTCS</b>	Ø1.50	4.0	8.0	5.5	12.0	1.8	1000
<b>ZTACV, ZTTCV</b>	Ø1.50	4.0	8.0	5.5	12.0	1.3	1000
<b>ZTACW, ZTTCW</b>	Ø1.50	4.0	4.0	3.5	8.0	1.3	3000
<b>Keramik Filter / Ceramic Filters</b>							
<b>LTCA/CV 107 Series</b>	Ø1.50	4.0	8.0	7.5	16.0	2.0	4000

Model	G	H	I	J	K	L	M
<b>Oszillatoren SMD / Oscillators SMD</b>							
<b>SMD-1100S</b>	2.5	Ø13.5	Ø21.6	Ø80.0	Ø330	25.5	2.3
<b>SCO-735</b> IV-PECL/LVDS/HCSL	2.5	Ø13.4	Ø19.5	-	Ø180	16.5	3.1
<b>SCO-700/-735SS</b> /-75HF/-75TSW	2.5	Ø13.5/13.4 /13.4/13.4	Ø21.6/19.5 /19.5/19.5	Ø80.0/-	Ø178/180 /180/180	17.5/16.5 /16.5/16.5	1.6/3.1/3.1 /3.1
<b>SCO-53/-53SS</b> /-53 HF/-53TSW	2.5	Ø13.5/13.4 /13.4/13.4	Ø21.6/19.5 /19.5/19.5	Ø80.0/-	Ø178/180 /180/180	13.5/16.5 /16.5/16.5	1.6/3.1/3.1 /3.1
<b>SCO-53 1.0 V</b>	2.5	Ø13.4	-	-	Ø180.0	16.5	3.1
<b>SCO-32</b>	2.5/-	Ø13.5/-	Ø21.6/-	Ø60.0/-	Ø178/180	13.5/12.8	1.6/1.9
<b>SCO-22</b>	2.5	Ø13.5	Ø21.6	Ø60.0	Ø178	9.5	1.6
<b>SCO-20/SCO-16</b>	2.0	Ø13.0	Ø21.0	Ø60.0	Ø180.0	9.0	2.0
<b>SCO-75P</b>	2.5	Ø13.5	Ø21.6	Ø80.0	Ø178	17.5	1.6
<b>SCO-53P</b>	2.5	Ø13.5	Ø21.6	Ø80.0	Ø178	13.5	1.6
<b>SCO-32P</b>	2.5	Ø13.5	Ø21.6	Ø60.0	Ø178	13.5	1.6
<b>SCO-22P</b>	2.5	Ø13.5	Ø21.6	Ø60.0	Ø178	9.5	1.6
<b>VC-TXCO-801</b>	2.0	Ø13.0	Ø21.0	Ø80.0	Ø330	24.4	2.0
<b>VC-TXCO-802</b>	2.0	Ø13.0	Ø21.0	Ø80.0	Ø330	24.4	2.0
<b>VXO-S1</b> <b>VXO-S3</b>	2.5	Ø13.5	Ø21.6	Ø80.0	Ø178	17.5	1.6
<b>VCXO-705CC</b>	2.5	Ø13.5	Ø21.6	Ø60.0	Ø178	17.5	1.6
<b>VC-SQO-735 (7.0x5.0)</b> IV-PECL/LVDS/HCMOS	2.5	Ø13.4	Ø19.5	-	Ø180.0	16.5	3.1
<b>VC-SQO-735 (5.0x3.2)</b> IV-PECL/LVDS/HCMOS	2.5	Ø13.4	Ø19.5	-	Ø180.0	16.5	3.1
<b>VCO-705N</b> <b>VCO-705T</b>	2.5	Ø13.0	Ø21.0	Ø80.0	Ø200	17.5	2.9
<b>VXO-T1</b> <b>VXO-T3</b>	2.5	Ø13.5	Ø21.6	Ø80.0	Ø178	13.5	1.6
<b>VCXO-3225</b>	2.5	Ø13.4	Ø19.5	-	Ø180	12.8	4.2
<b>TXO-503</b> <b>VTXO-503</b>	2.0	Ø13.0	Ø20.0	Ø62.0	Ø180	12.4	3.4
<b>TXO-320</b> <b>VTXO-320</b>	2.5	Ø13.0	Ø22.0	Ø60.2	Ø178	8.0	1.75
<b>Resonatoren / Resonators</b>							
<b>ZTACC, ZTTCC</b>	2.0	Ø13.5	Ø21.6	80.0	Ø330	16.4	3.0
<b>ZTACS, ZTTCS</b>	2.0	Ø13.5	Ø21.6	60.0	Ø180	12.4	3.0
<b>ZTACV, ZTTCV</b>	2.0	Ø13.5	Ø21.6	60.0	Ø180	12.4	3.0
<b>ZTACW, ZTTCW</b>	2.0	Ø13.5	Ø21.6	60.0	Ø180	8.4	3.0
<b>Keramik Filter / Ceramic Filters</b>							
<b>LTCA/CV 107 Series</b>	2.0	Ø13.0	Ø21.6	99.5	Ø330	16.4	3.0

*Crystals...  
and more*

Now available

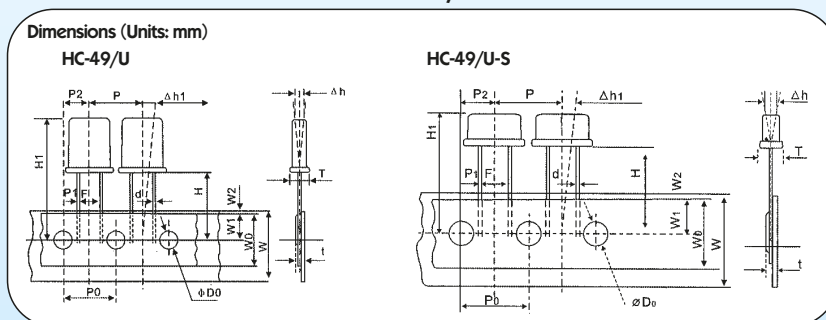
**RoHS**  
COMPLIANT  
2002/95/EC



**digital electronic**  
**siegfried lehrer gmbh**  
Rudolf-Wanzl-Str. 3+5  
D-89340 Leipzig / Germany  
[www.digitallehrer.de](http://www.digitallehrer.de)  
digital@digitallehrer.de

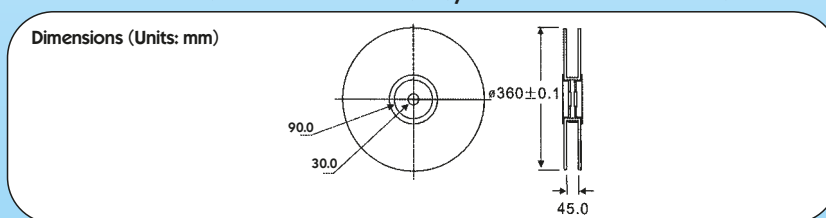
## GURTUNG RADIAL BEDRAHTETER BAUTEILE TAPING THROUGH-HOLE COMPONENTS HC-49/U • HC-49/U-S • UM-1 • UM-5

### GURT SPEZIFIKATIONEN / TAPE SPECIFICATION



Symbol	Description	HC-49/U	HC-49/U-S	UM-1	UM-5
<b>T</b>	Thickness of Component	5.0 max.			
<b>d</b>	Lead Wire Diameter	Ø0.43 <sup>+0.05</sup> / <sub>-0.02</sub>			
<b>P</b>	Interval Spacing of Component	12.7±1.0			
<b>P0</b>	Pitch of Leading Hole	12.7±1.0			
<b>P1</b>	Tolerance of Leading Hole	3.85±0.7			
<b>P2</b>		6.35±1.0			
<b>F</b>	Lead Pitch	5.0 <sup>+0.05</sup> / <sub>-0.02</sub>			
<b>Δh</b>	Inclination	0±1.0			
<b>W</b>	Tape Width	18.2±0.2			
<b>W0</b>	Adhesive Tape Width	13.0 <sup>+0.08</sup> / <sub>-0.02</sub>			
<b>W1</b>	Tolerance of Leading Hole (Vertical)	8.5±0.3	9.0±0.5	8.5±0.3	8.5±0.3
<b>W2</b>	Tolerance of Cover Tape	2.0 max.			
<b>H</b>	Bottom Surface Position of Component	18.0±2.0	20.5±0.5	18.0±2.0	18.0±2.0
<b>H1</b>	Top Surface Position of Component	33.6 max.	24.5 max.	33.6 max.	33.6 max.
<b>D0</b>	Hole Diameter	Ø4.0±0.2			
<b>t</b>	Tape Thickness	0.7±0.1			
<b>Δh1</b>	Inclination	0±1.0			

### ROLLEN SPEZIFIKATIONEN / REEL SPECIFICATION



*Crystals...  
and more*

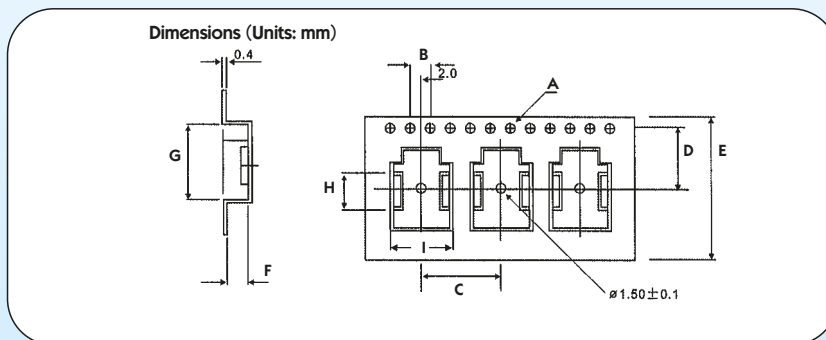
Now available



**digital electronic  
siegfried lehrer gmbh**  
Rudolf-Wanzl-Str. 3+5  
D-89340 Leipzig / Germany  
[www.digitallehrer.de](http://www.digitallehrer.de)  
[digital@digitallehrer.de](mailto:digital@digitallehrer.de)

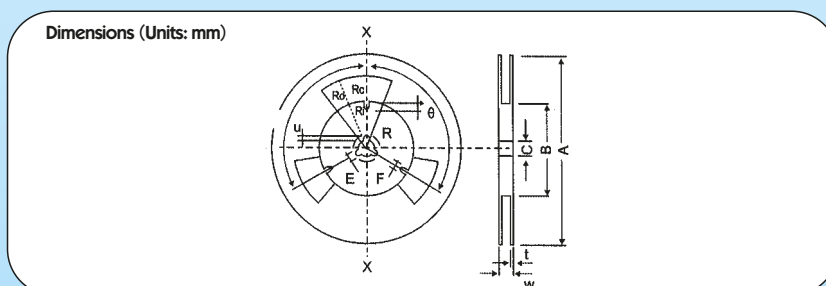
## GURTUNG SMD BAUTEILE TAPING SMD COMPONENTS HC-49/MJ • UM-1/MJ • UM-5/MJ GULL WING

### GURT SPEZIFIKATIONEN / TAPE SPECIFICATION



Model	A	B	C	D	E	F	G	H	I	Qty/ Reel
<b>Quarze / Quartz Crystals</b>										
<b>HC-49/MJ</b>			16.0			6.0	19.0	8.0	7.0	1000
<b>UM-1/MJ</b>	∅1.50	4.0	12.0	11.5	24.0	3.9	14.0	13.0	8.2	1000
<b>UM-5/MJ</b>			12.0			5.5				

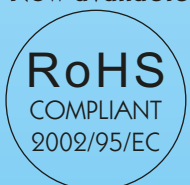
### ROLLEN SPEZIFIKATIONEN / REEL SPECIFICATION



Description		Code	Dimensions	
Flanges	Diameter	A	∅330±2.0	
	Thickness	t	2.4±0.2	
	Width between Flanges	W	24.4 <sup>+2.0</sup> <sub>-0.0</sub>	
Center Core	Outline Diameter	B	∅100±2.0	
	Center Core Slit	Width	F	2.3±1.0
		Depth	V	6.0±1.0
		Position	Q	120° ±3°
	Spindle Diameter	C	∅13.0±0.5	
	Key Seats	Width	E	2.5
		Depth	U	5.0±0.5
Position		Q	120° ±3°	
Fenestrate	Outline Radius	R <sub>o</sub>	R90 ±1.0	
	Inline Radius	R <sub>i</sub>	R40 ±1.0	
	Rounded	R <sub>r</sub>	R5 <sup>+2.0</sup> <sub>-0.0</sub>	
	Open Angle	R	40° ±2°	

*Crystals...  
and more*

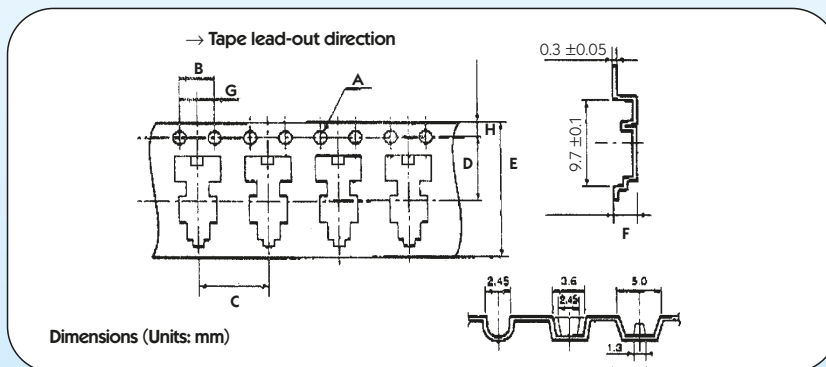
Now available



**digital electronic  
siegfried lehrer gmbh**  
Rudolf-Wanzl-Str. 3+5  
D-89340 Leipzig / Germany  
[www.digitallehrer.de](http://www.digitallehrer.de)  
[digital@digitallehrer.de](mailto:digital@digitallehrer.de)

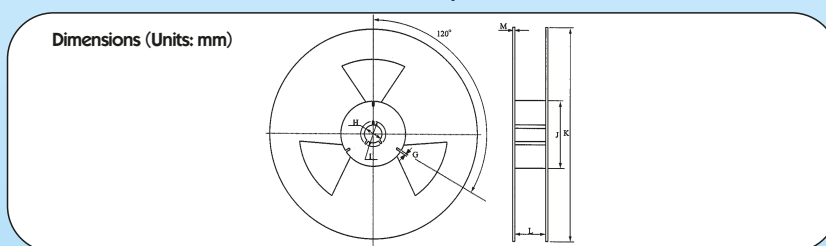
## GURTUNG UHRENQUARZE TAPING CLOCK CRYSTALS TSM-26B • TSM-26BJ • TSM-250

### GURT SPEZIFIKATIONEN / TAPE SPECIFICATION



Model	A	B	C	D	E	F	G	H	Qty/ Reel
<b>Quarze / Quartz Crystals</b>									
<b>TSM-26B</b> <b>TSM-26BJ</b>	Ø1.55	4.0	8.0	7.5	16.0	2.15	2.0	1.75	2000
<b>TSM-250</b>	Ø1.55	4.0	8.0	7.5	16.0	2.15	2.0	1.75	2000

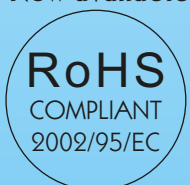
### ROLLEN SPEZIFIKATIONEN / REEL SPECIFICATION



Model	H	I	J	K	L	M
<b>Quarze SMD / Quartz Crystals SMD</b>						
<b>TSM-26B</b> <b>TSM-26BJ</b>	Ø13.0	21.5	110	Ø330	18.0	2.0
<b>TSM-250</b>	Ø13.0	21.5	110	Ø330	18.0	2.0

*Crystals...  
and more*

Now available



**digital electronic**  
**siegfried lehrer gmbh**  
Rudolf-Wanzl-Str. 3+5  
D-89340 Leipheim / Germany  
[www.digitallehrer.de](http://www.digitallehrer.de)  
[digital@digitallehrer.de](mailto:digital@digitallehrer.de)